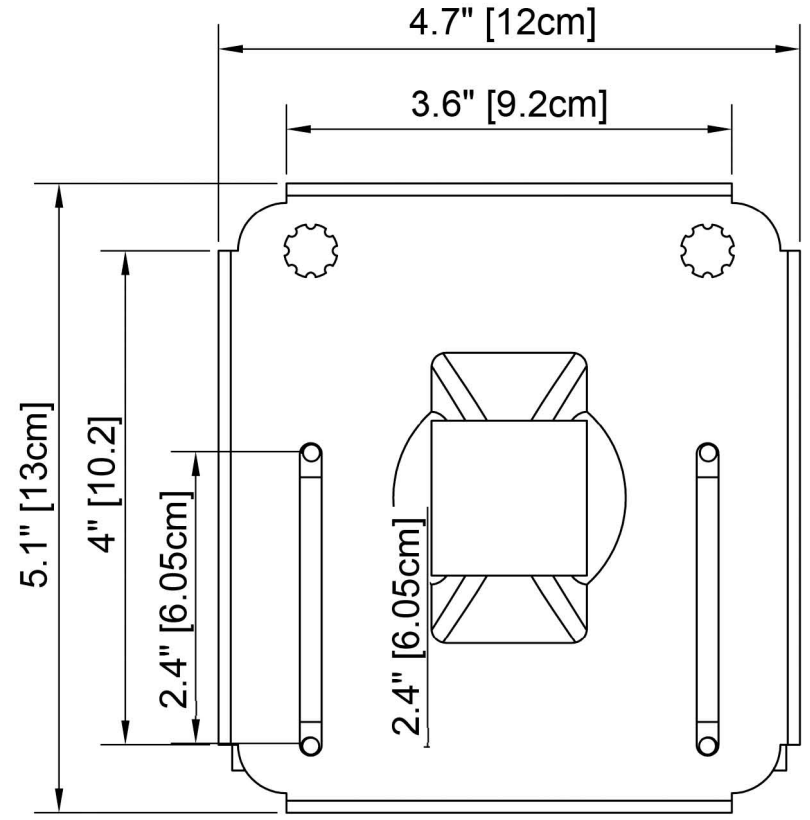
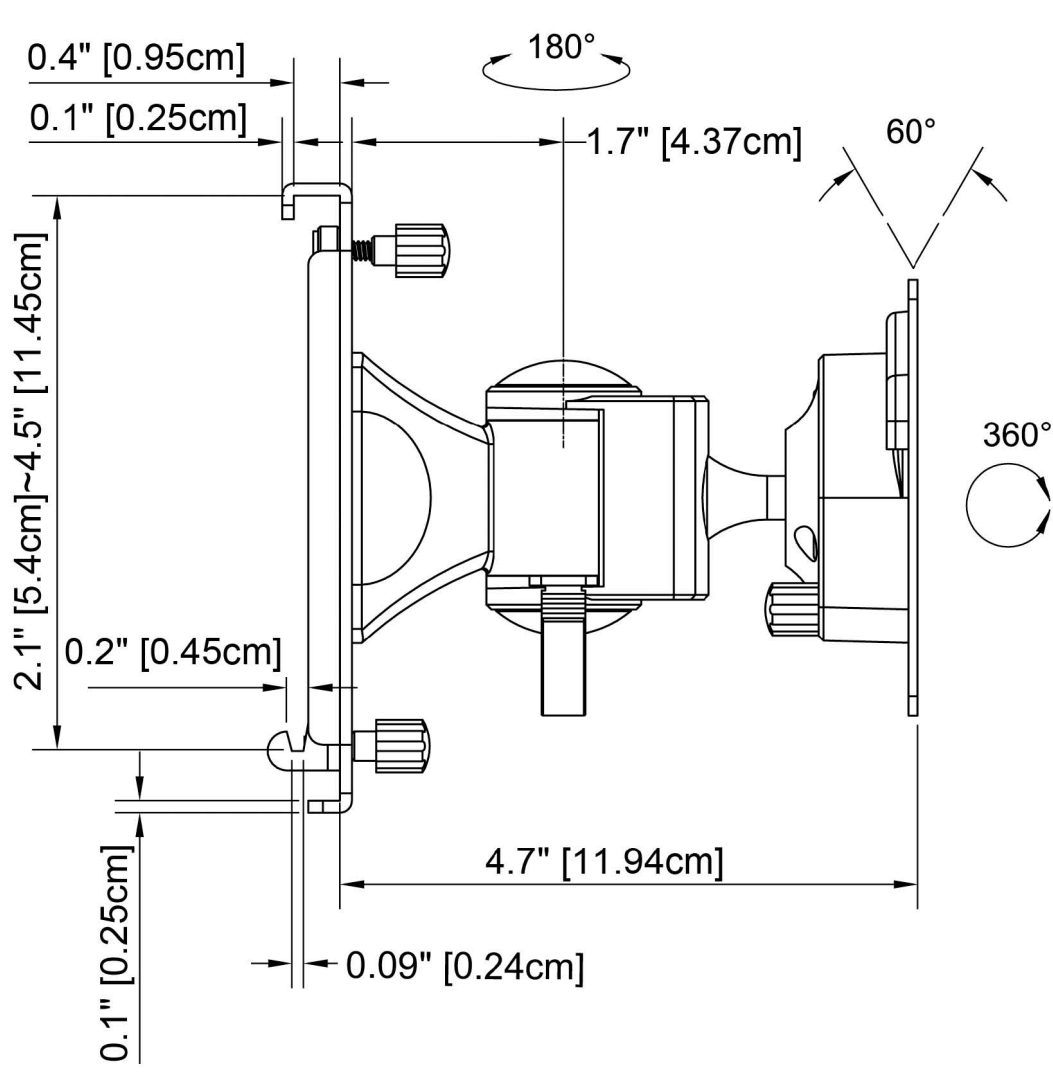


# SM-1P1



Unit:inch[cm]