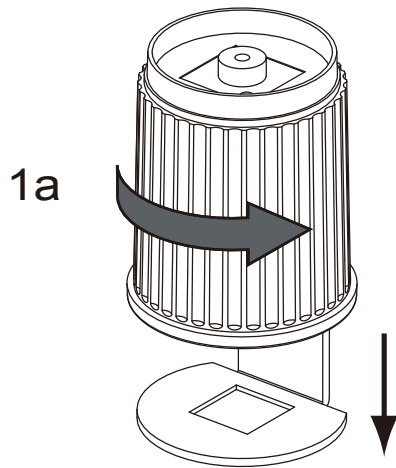
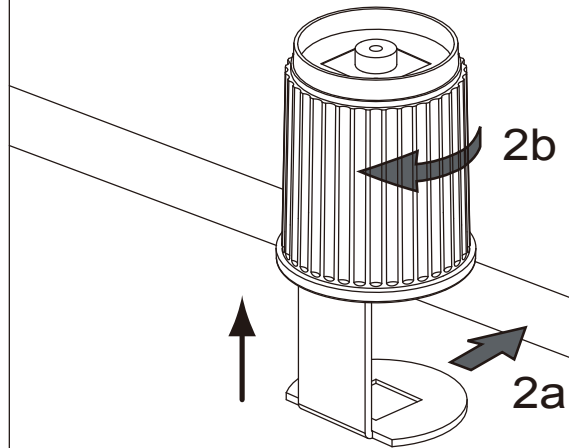


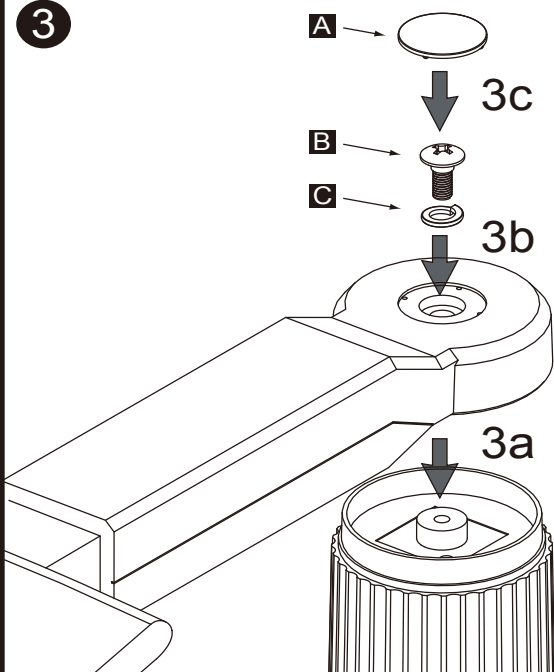
1



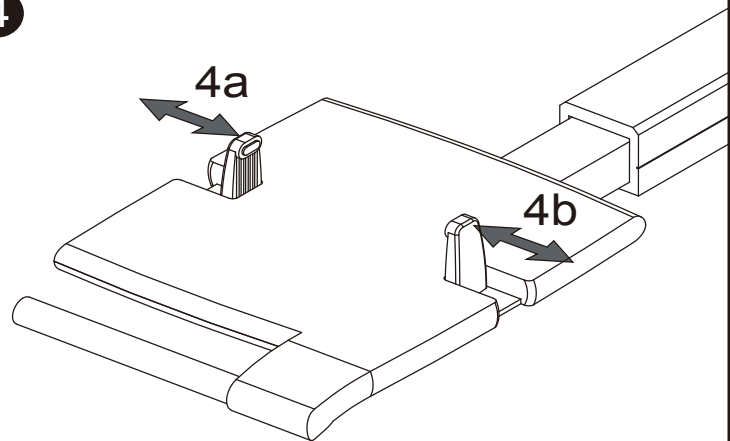
2



3



4



Qty. 1



A

Qty. 1



B

Qty. 1



C