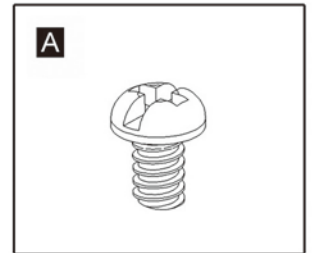
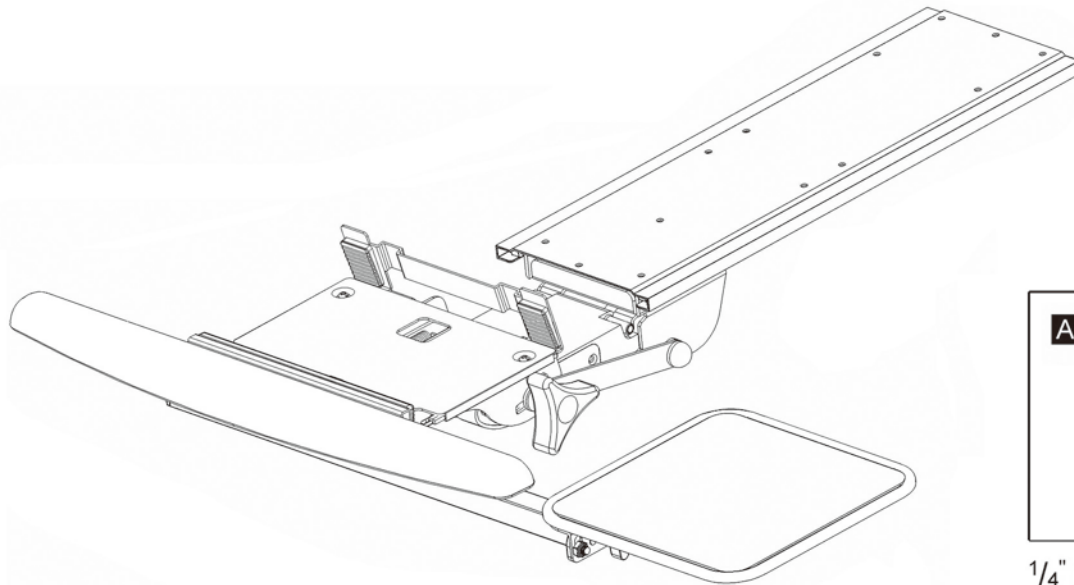
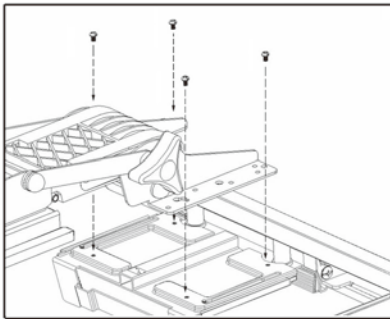


Installation Manual

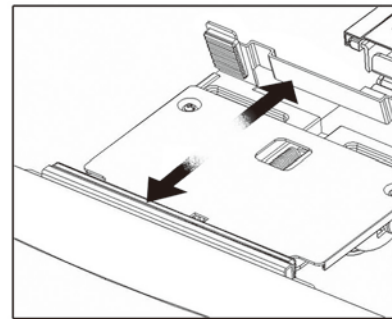
Model #: KFB-5M



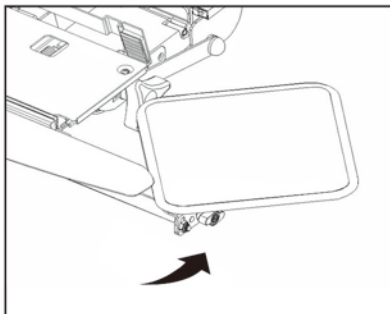
1/4" Brass Machine Screw
(QTY : 4)



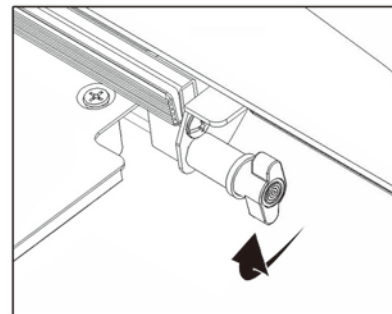
1
Insert screw "A" to fasten Clamp Tray to the arm through holes in arm bracket into threaded holes in the Clamp Tray.



2
Pull out the metal panel and set keyboard in place.



3
Loosen knob to adjust the gel wrist rest and set wrist rest to desired angle and height. Re-tighten adjustable knob.



4
Loosen knob to adjust the surface of Optional mouse pad to desired position and angle. Re-tighten the knob.

