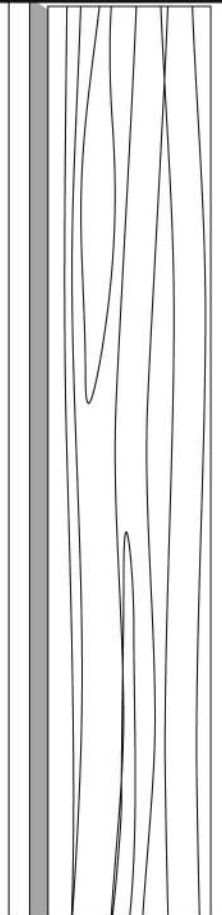
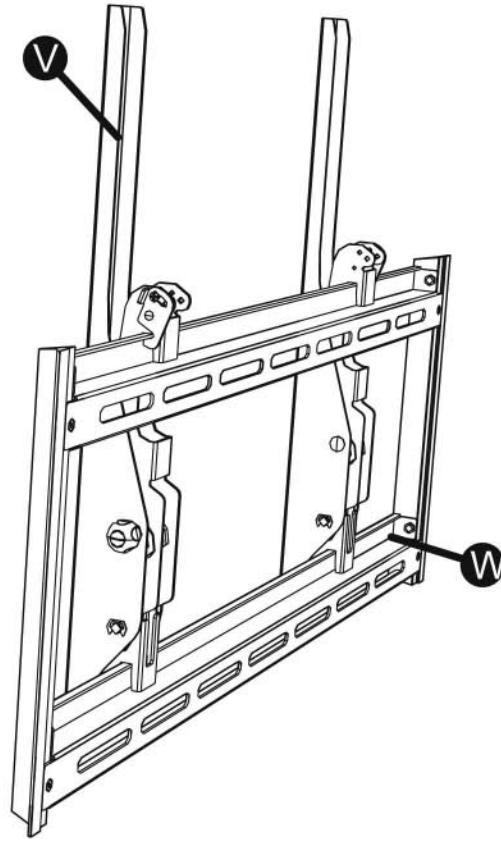
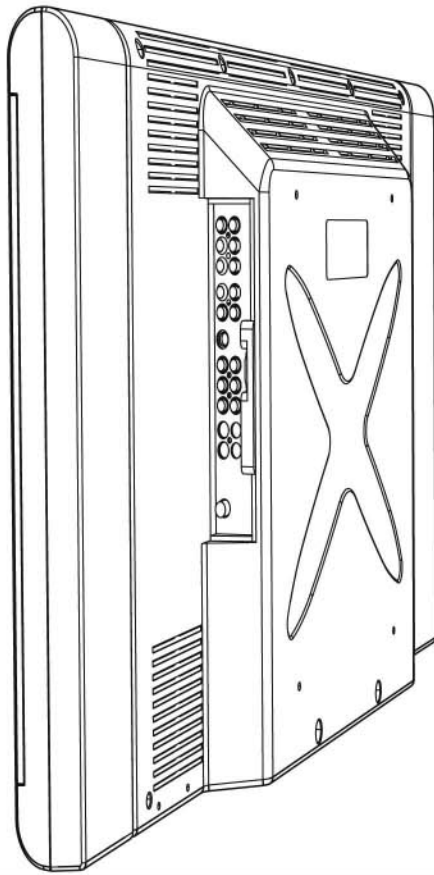


# MW-5T2

Tilting Wall Mount

# User's Manual

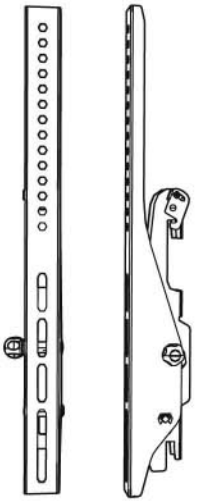
If you want to learn more about Cotytech Mounts, you may visit <http://www.cotytech.com> or call 1-888-891-9321



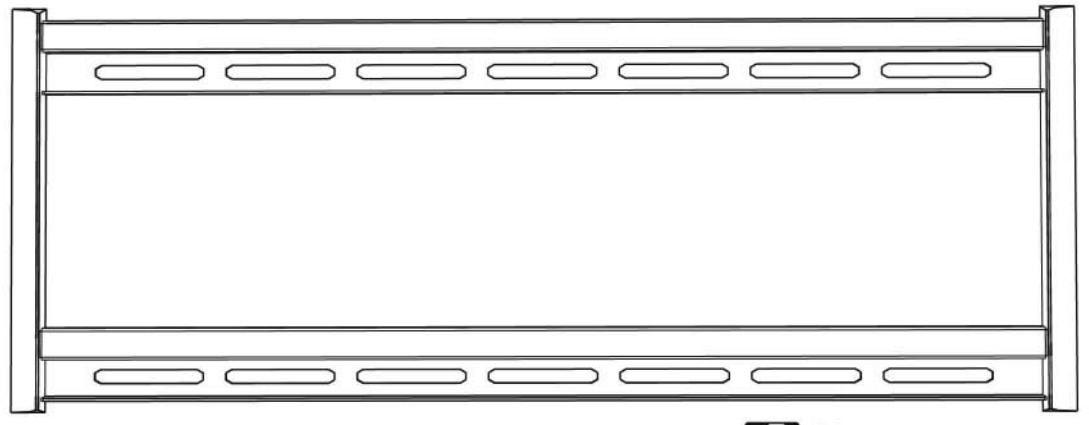
Vertical extension rails

Cantilever arm


Wall plate



V



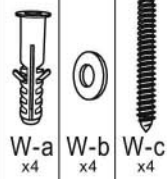
W

 Max. 32" to 63"

 Max. 175lbs (79.5Kg)

Wall Kit

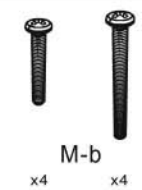
Monitor Kit



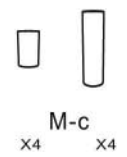
W-a x4  
W-b x4  
W-c x4



M-a x4 x4



M-b x4 x4



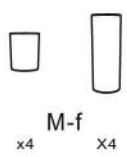
M-c x4 x4



M-d x4 x4



M-e x4 x4



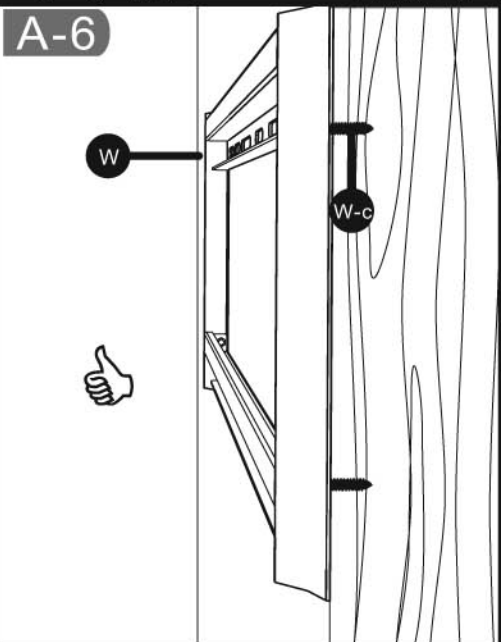
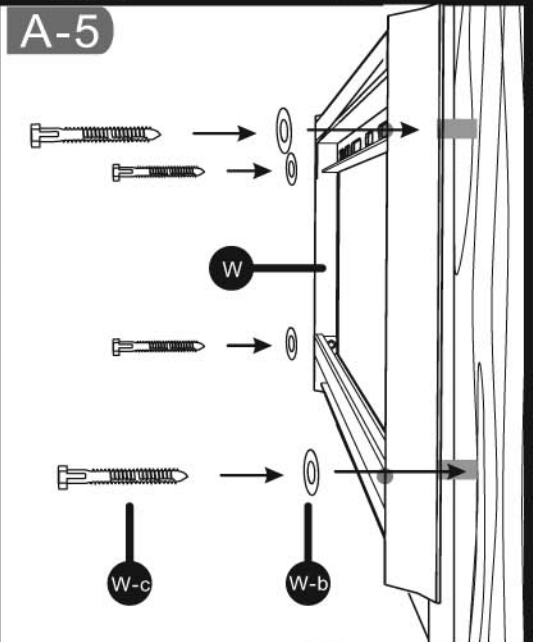
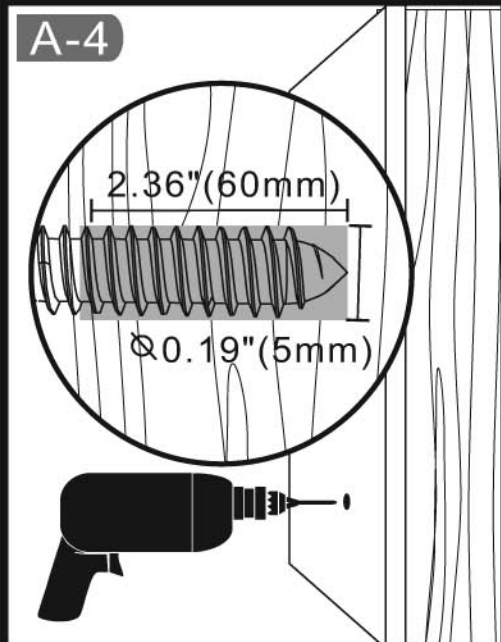
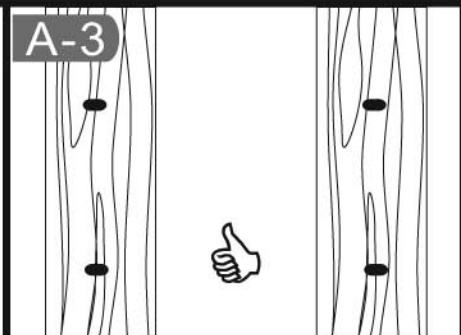
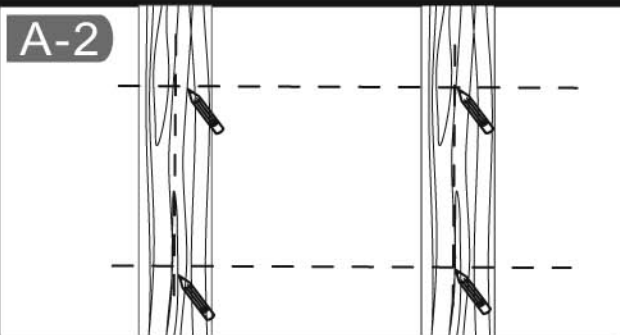
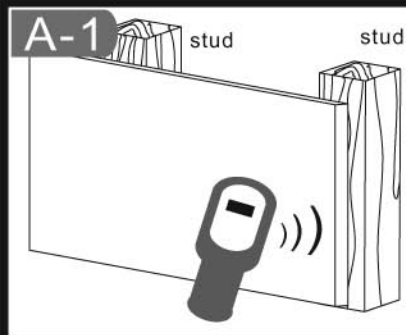
M-f x4 x4

# MW-5T2

## Tilting Wall Mount

# User's Manual

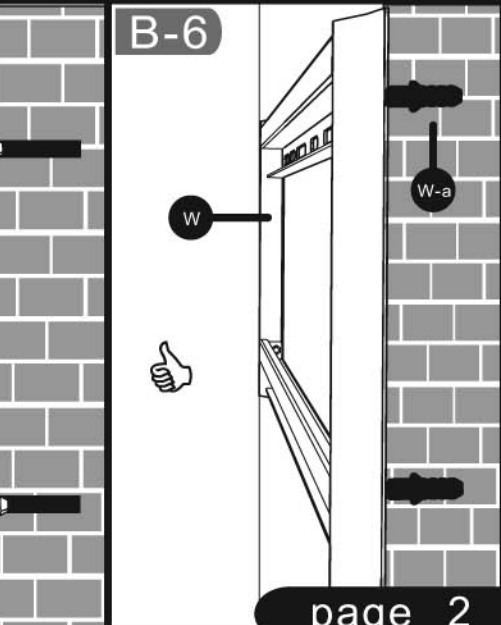
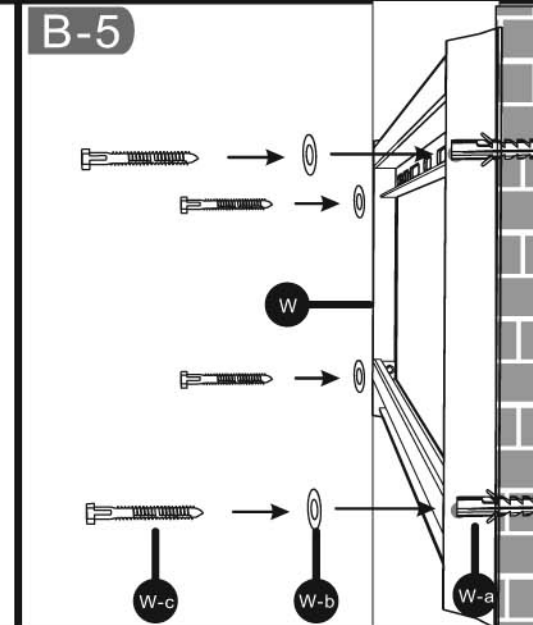
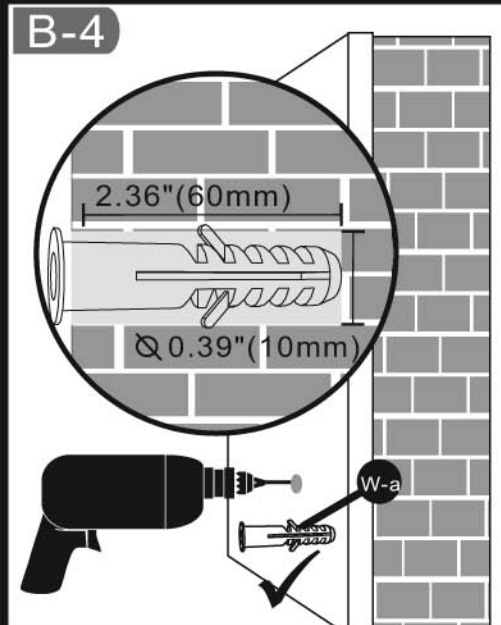
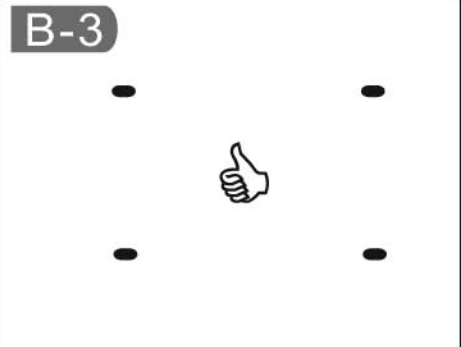
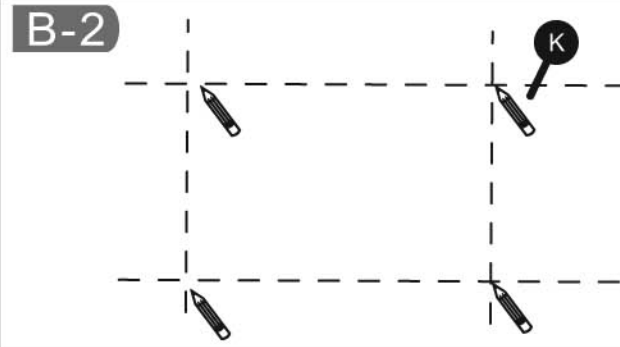
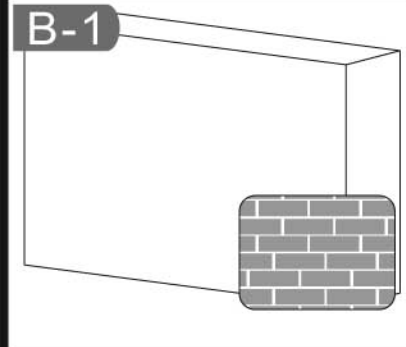
If you want to learn more about Cotytech Mounts, you may visit <http://www.cotytech.com> or call 1-888-891-9321



↓ Plasma mounting on non-stud wall

OR

↑ Plasma mounting on Stud Wall



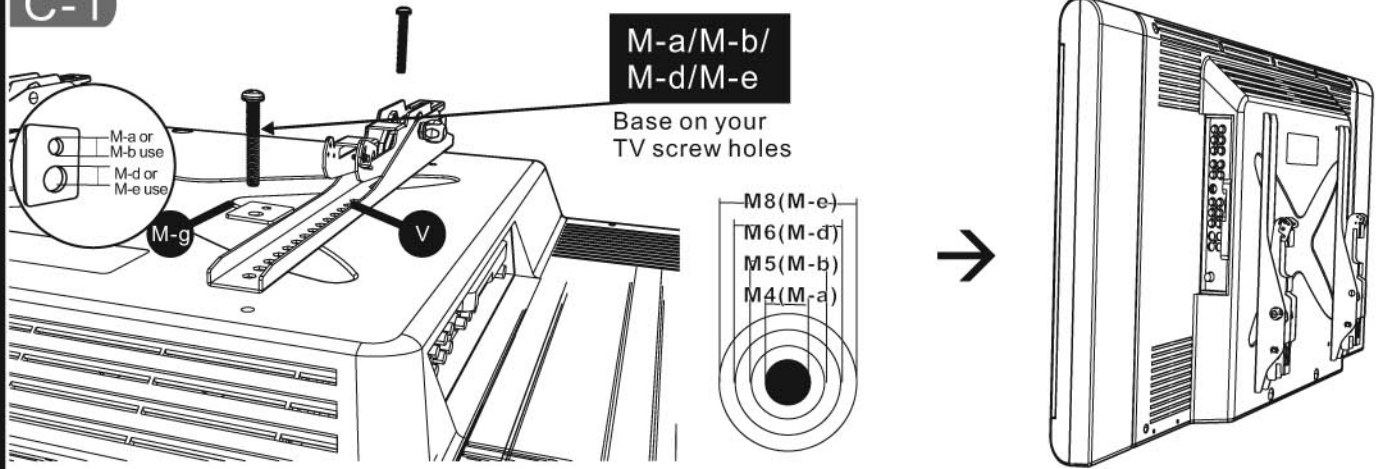
# MW-5T2

Tilting Wall Mount

# User's Manual

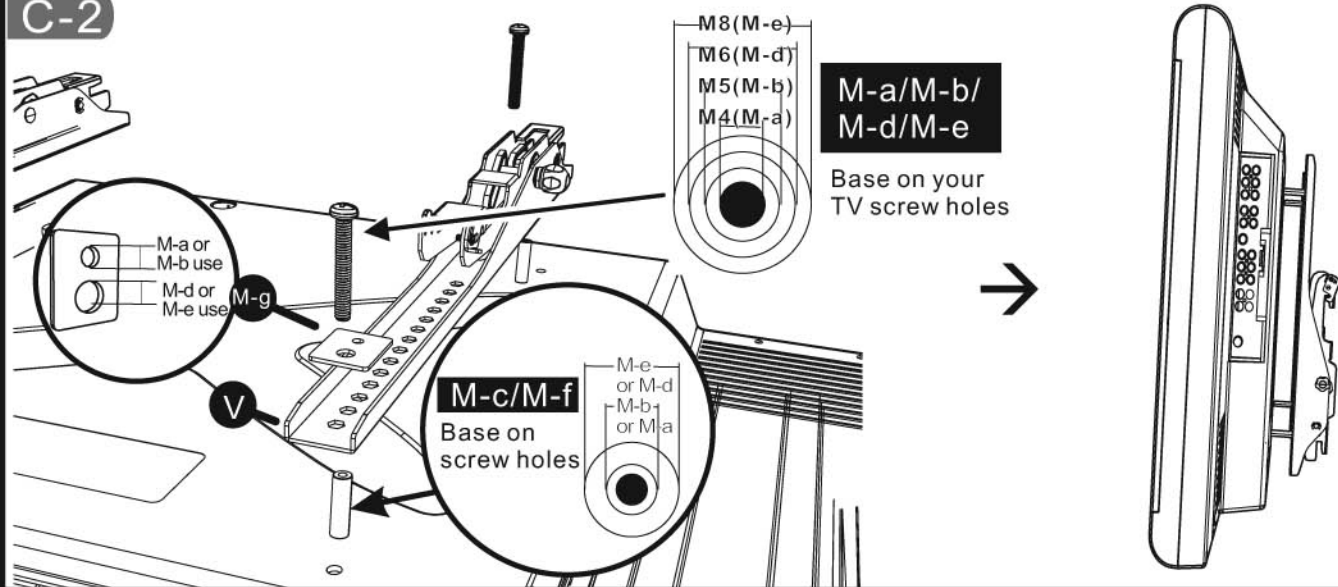
If you want to learn more about Cotytech Mounts, you may visit <http://www.cotytech.com> or call 1-888-891-9321

C-1

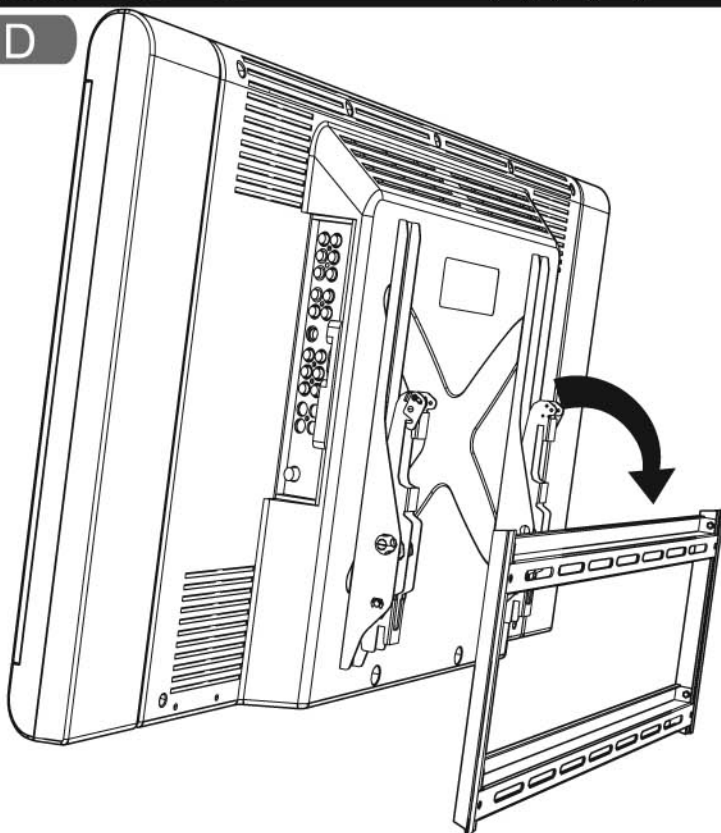


OR (Base on your TV type)

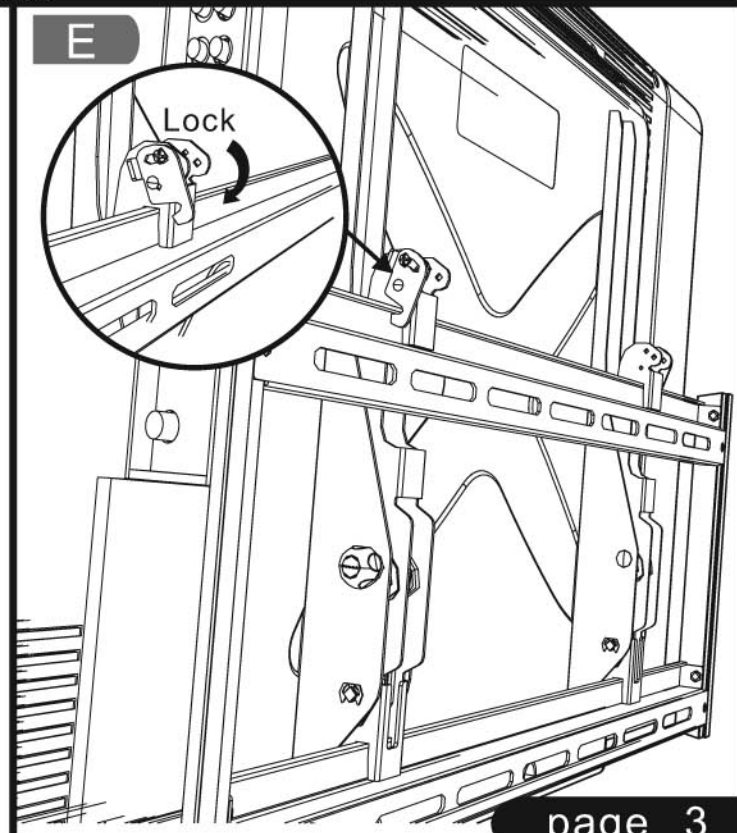
C-2



D



E



# MW-5T2

Tilting Wall Mount

# User's Manual

If you want to learn more about Cotytech Mounts, you may visit <http://www.cotytech.com> or call 1-888-891-9321

