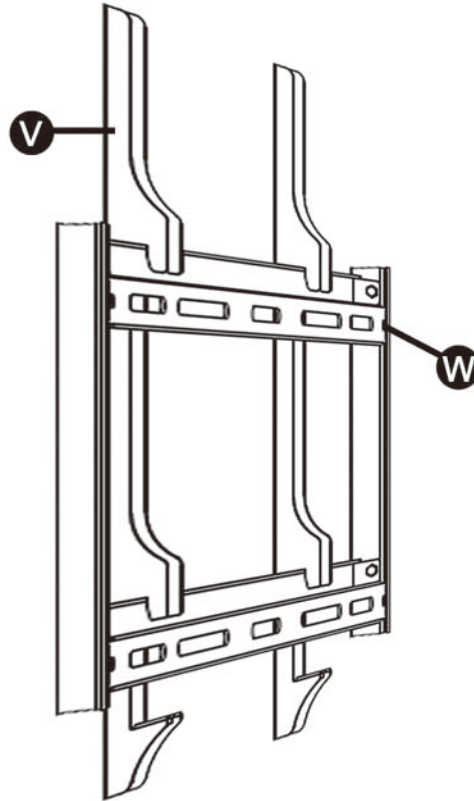
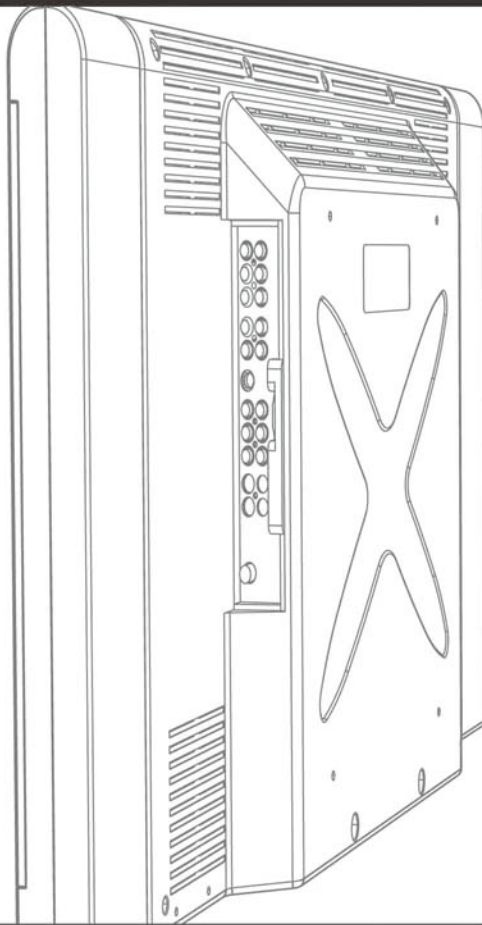


MW-5F2

Fixed Wall Mount

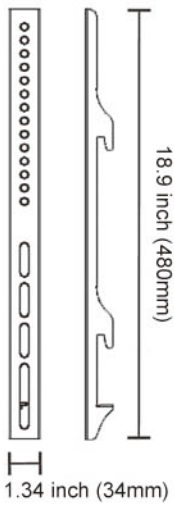
User's Manual

If you want to learn more about Cotytech Mounts, you may visit <http://www.cotytech.com> or call 1-888-891-9321

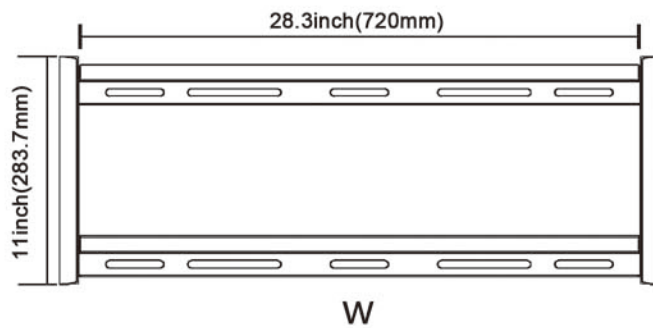


Vertical extension rails


Wall plate




V



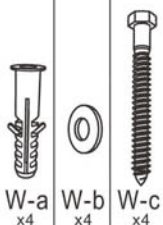
W

 Max. 32" to 63"

 Max. 175lbs (79.5Kg)

Wall Kit

Monitor Kit



W-a x4
W-b x4
W-c x4



M-a x4
M-b x4



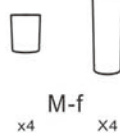
M-c x4
M-d x4



M-e x4
M-f x4



M-g x4
M-h x4



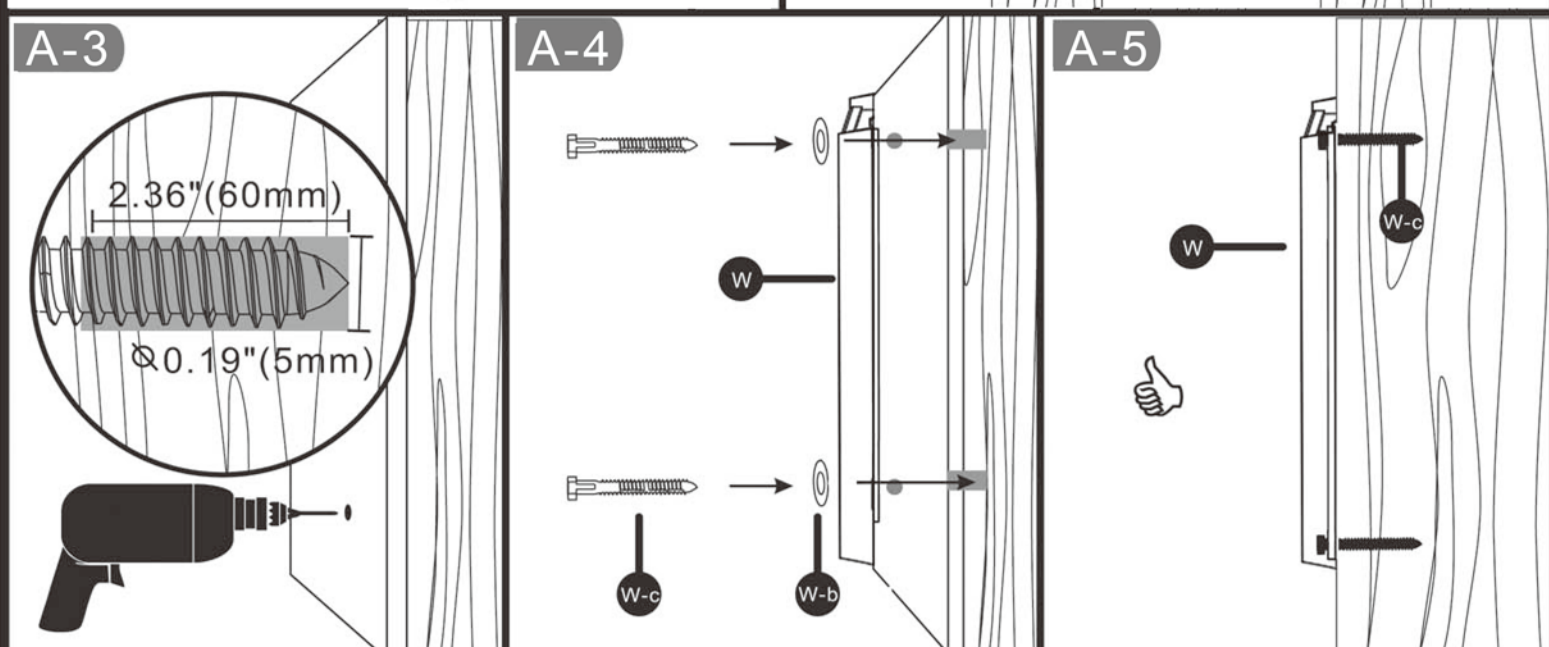
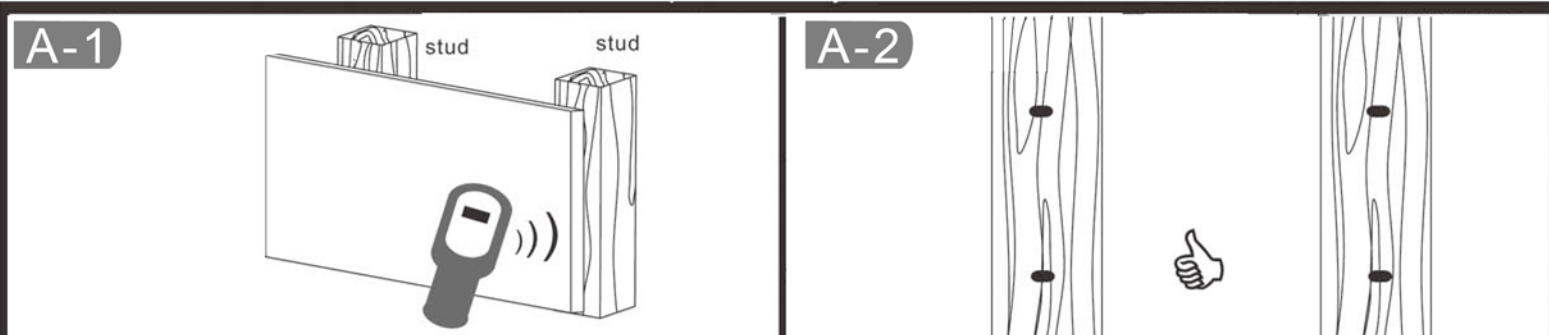
M-i x4
M-j x4

MW-5F2

Fixed Wall Mount

User's Manual

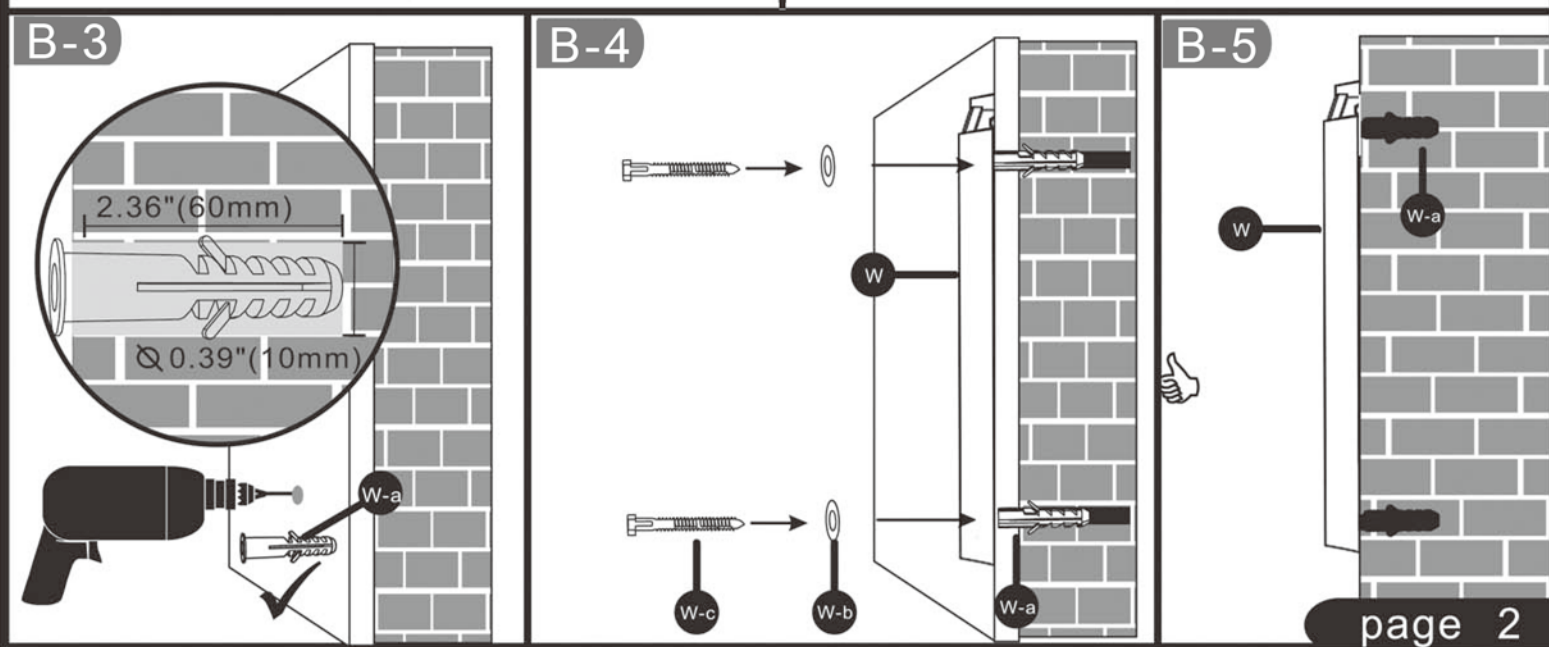
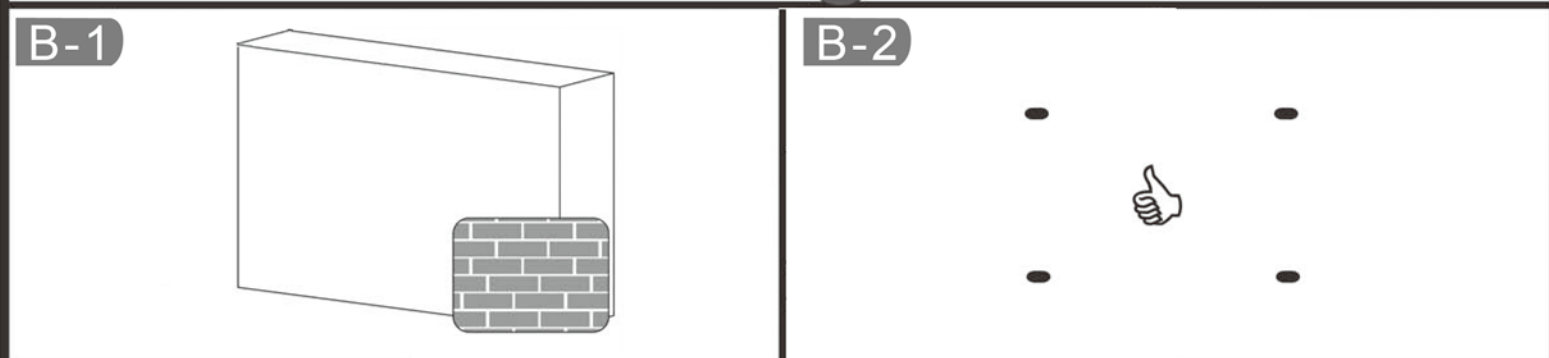
If you want to learn more about Cotytech Mounts, you may visit <http://www.cotytech.com> or call 1-888-891-9321



↓ Plasma mounting on non-stud wall

OR

↑ Plasma mounting on Stud Wall

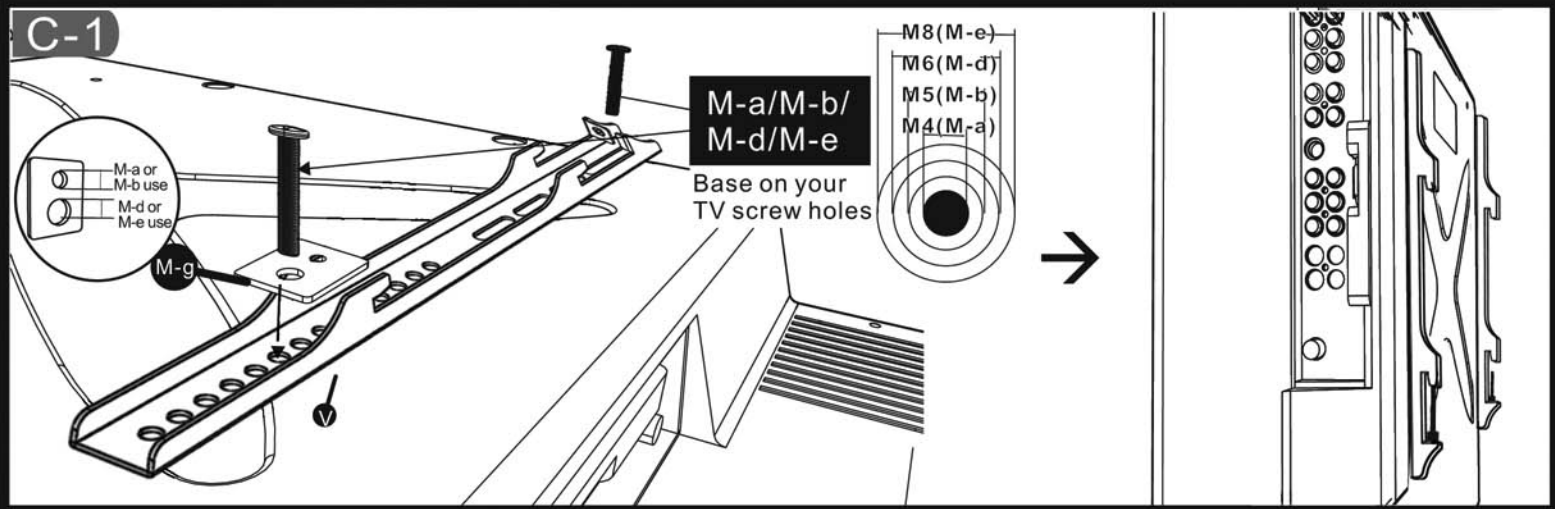


MW-5F2

Fixed Wall Mount

User's Manual

If you want to learn more about Cotytech Mounts, you may visit <http://www.cotytech.com> or call 1-888-891-9321



OR (Base on your TV type)

