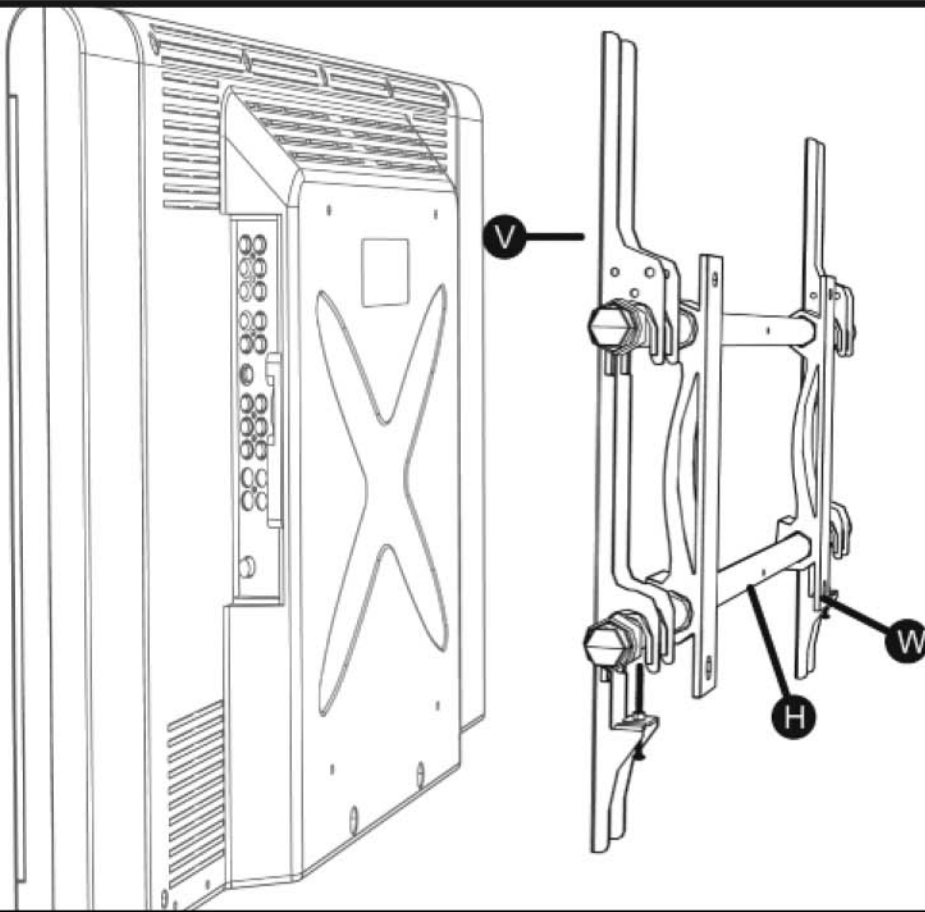


MW-6F1/MW-5F1

Fixed Wall Mount

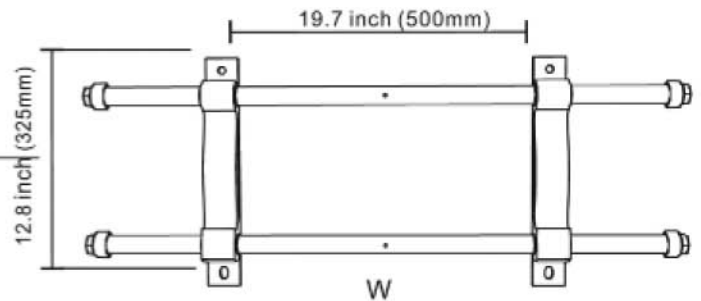
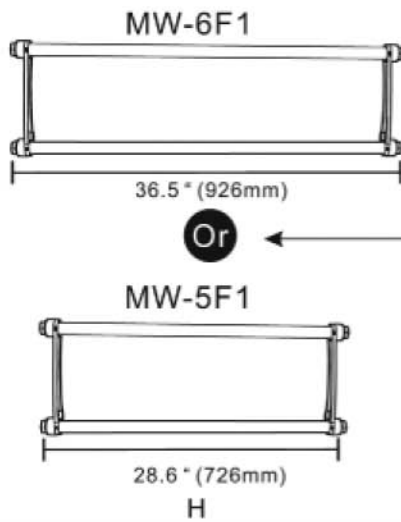
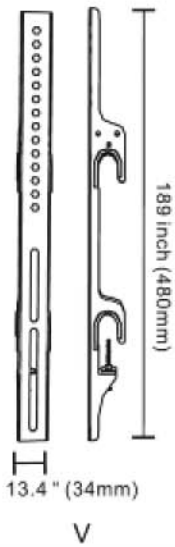
User's Manual

If you want to learn more about Cotytech Mounts, you may visit <http://www.cotytech.com> or call 1-888-891-9321



Vertical extension rails

Wall plate



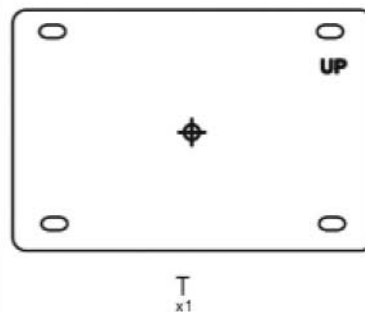
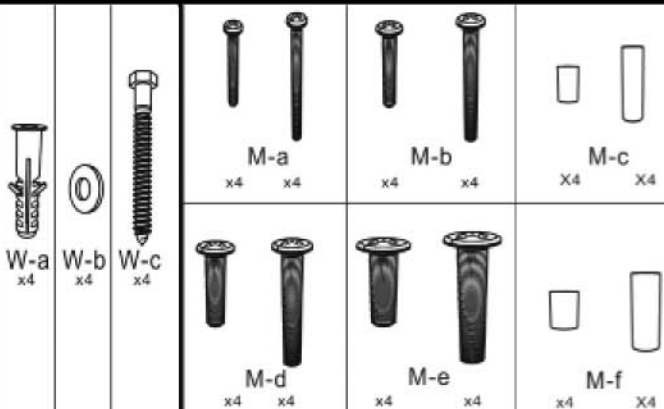
Max. 32" to 63"

Max. 175lbs (79.5Kg)

Wall Kit

Monitor Kit

Installation Kit

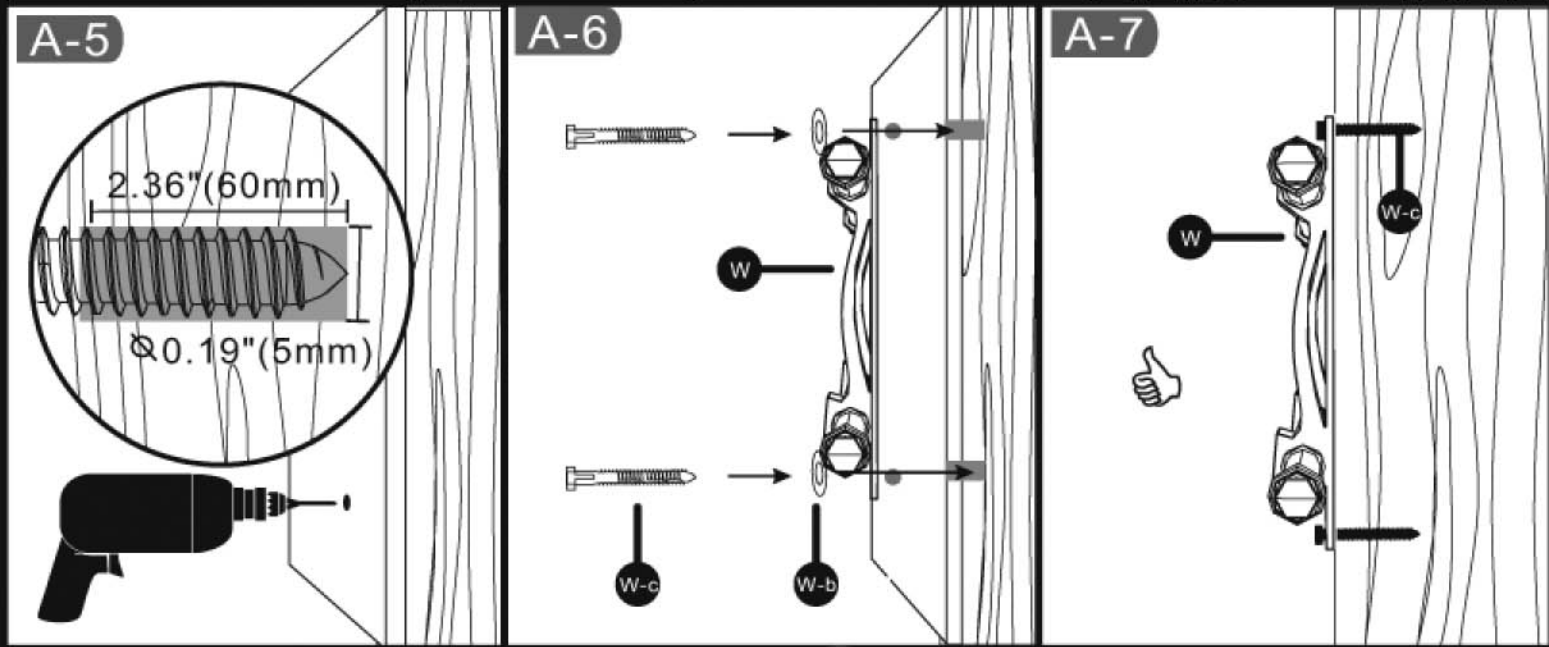
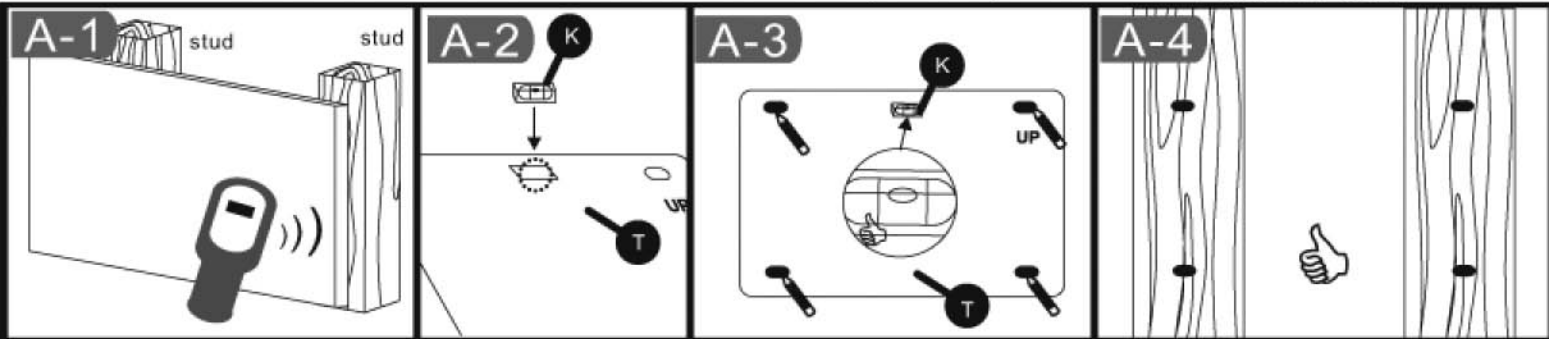


MW-6F1/MW-5F1

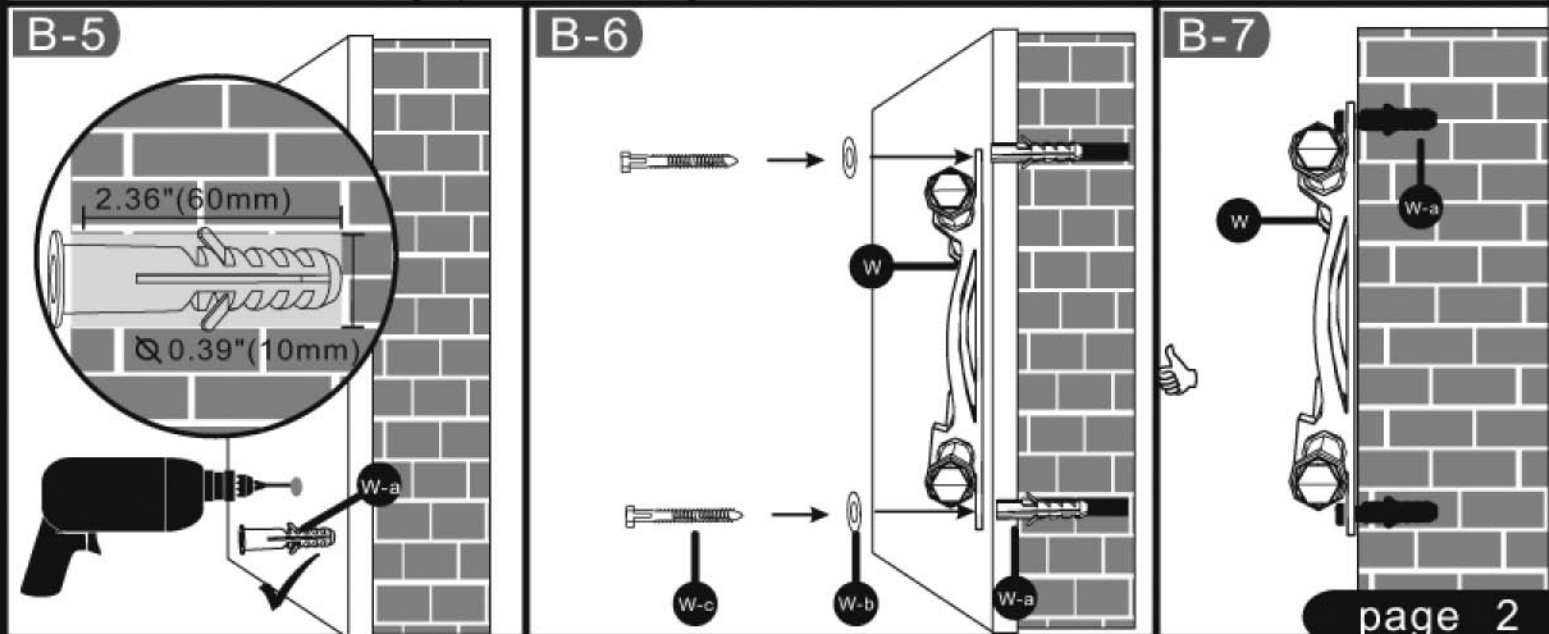
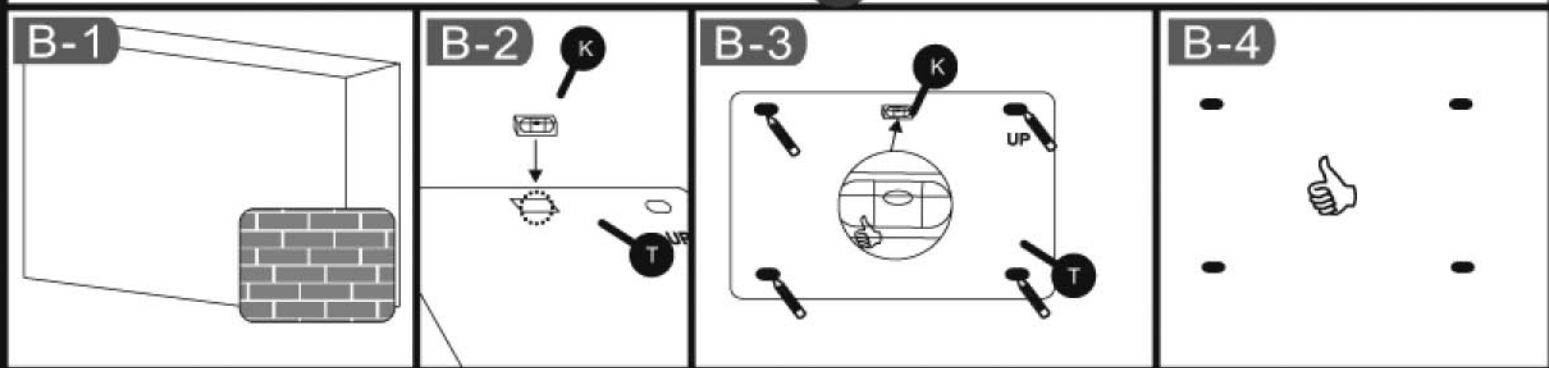
Fixed Wall Mount

User's Manual

If you want to learn more about Cotytech Mounts, you may visit <http://www.cotytech.com> or call 1-888-891-9321



↓ Plasma mounting on non-stud wall OR ↑ Plasma mounting on Stud Wall

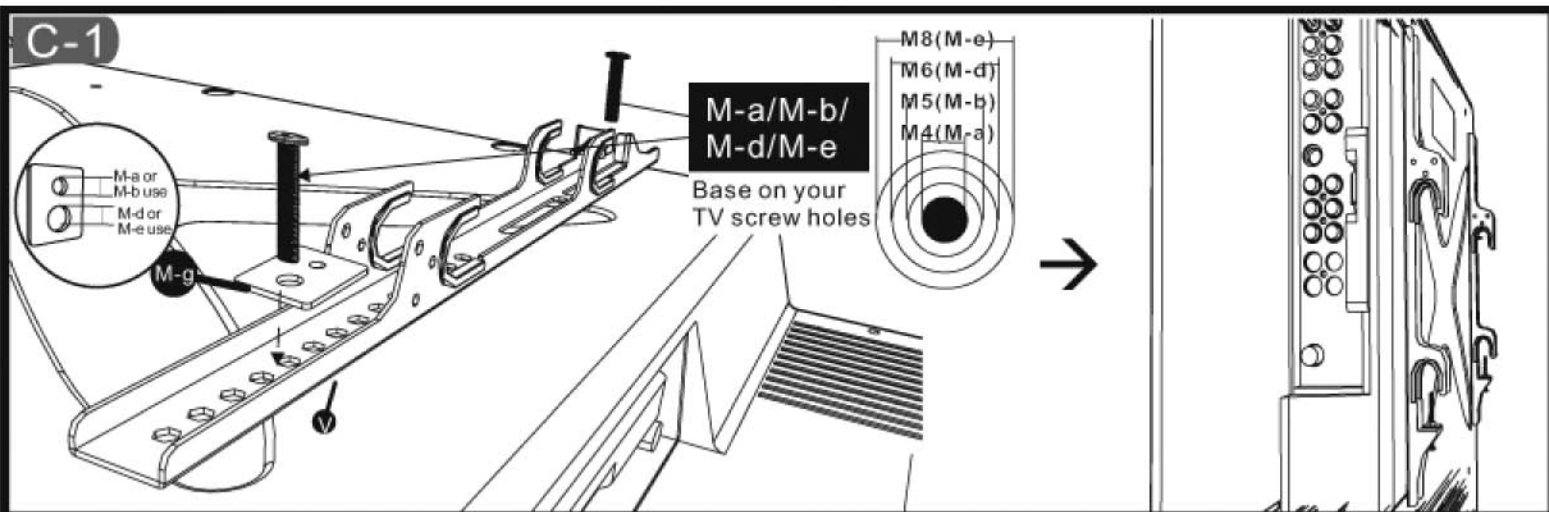


MW-6F1/MW-5F1

Fixed Wall Mount

User's Manual

If you want to learn more about Cotytech Mounts, you may visit <http://www.cotytech.com> or call 1-888-891-9321



OR (Base on your TV type)

