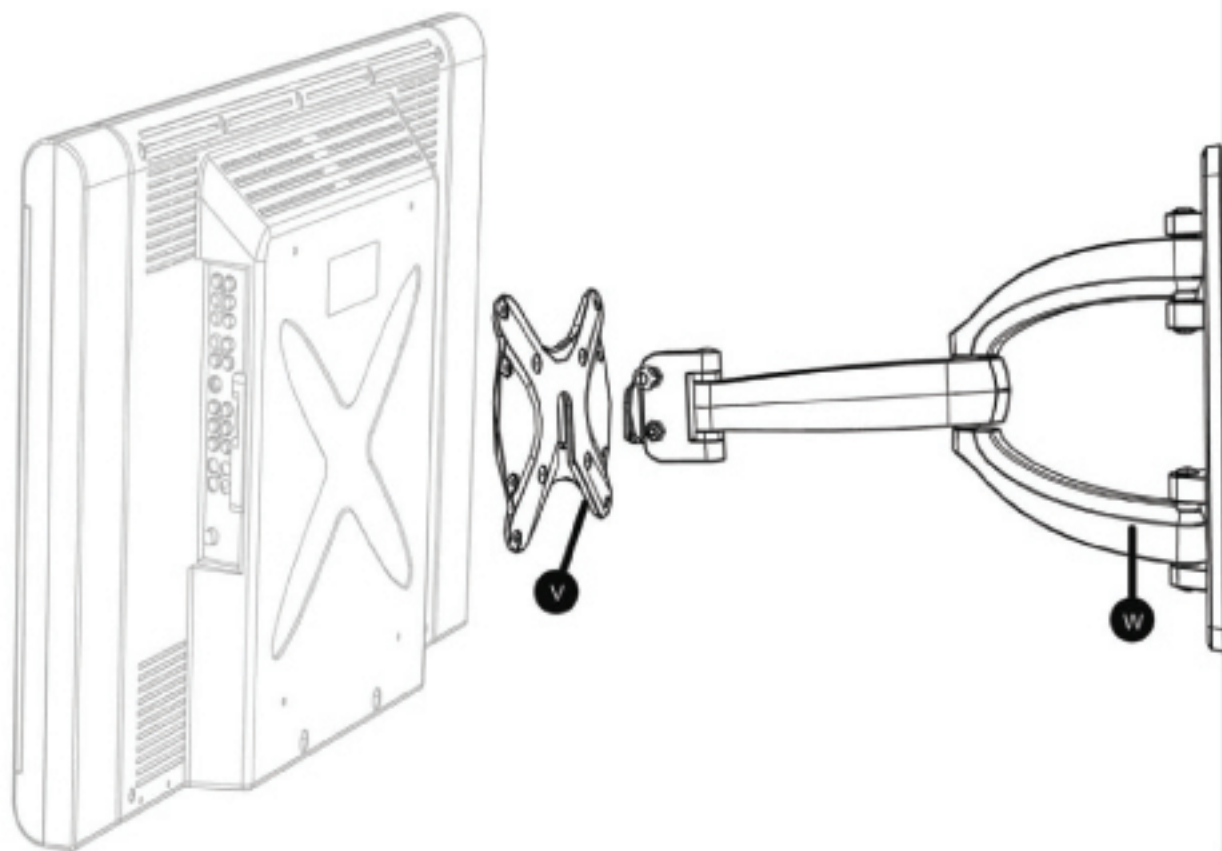


# MW-3A4

Full Swing Wallmount

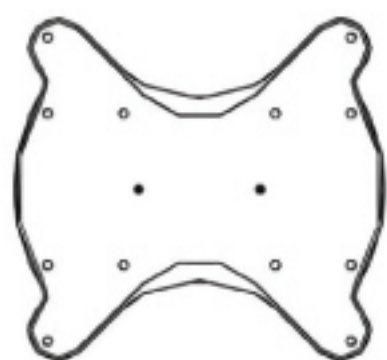
# User's Manual

If you want to learn more about Cotytech Mounts, you may visit <http://www.cotytech.com> or call 1-888-891-9321

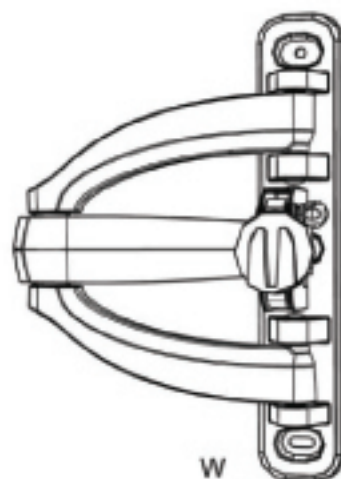


VESA plate

Wall plate



V



W



Max. 80lbs (36.4Kg)



Max 32° to 50°

Wall Kit

Monitor Kit



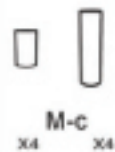
W-a  
x3  
W-b  
x3  
W-c  
x3



M-a  
x4  
M-b  
x4



M-b  
x4  
M-c  
x4



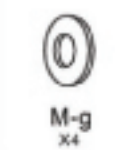
M-c  
x4  
M-d  
x4



M-d  
x4  
M-e  
x4



M-f  
x4  
M-g  
x4



M-g  
x4  
M-h  
x4

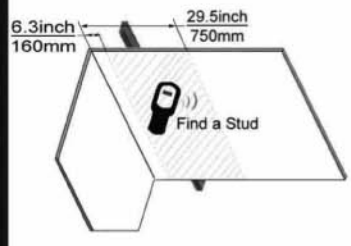
# MW-3A4

## Full Swing Wall Mount

# User's Manual

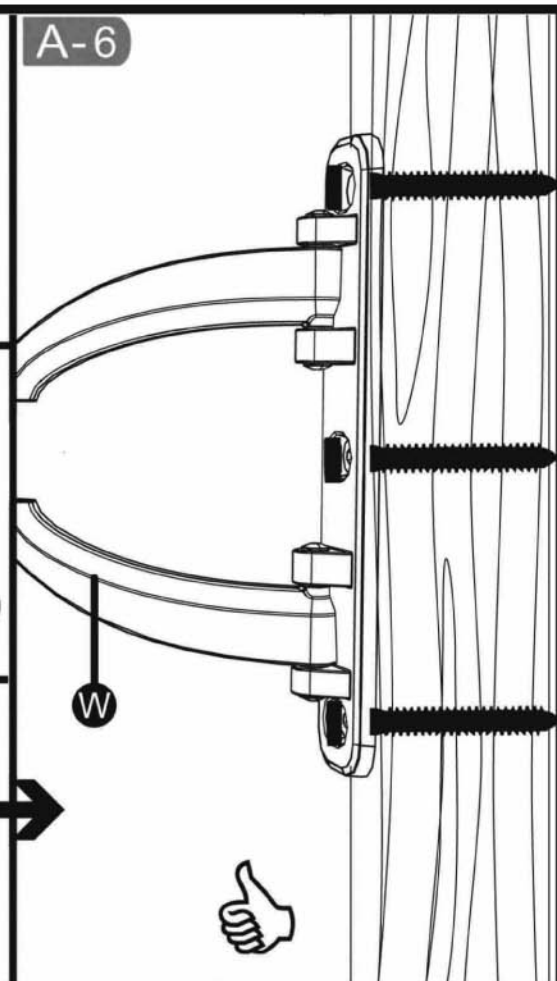
If you want to learn more about Cotytech Mounts, you may visit <http://www.cotytech.com> or call 1-888-891-9321

A-1

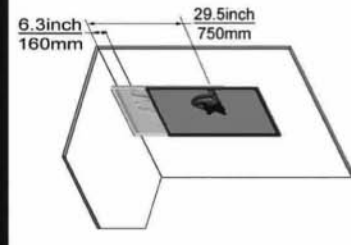


This model is designed especially with corner mounting in mind. When used for corners, make sure you locate stud or studs in the specified range: must be away from the corner intersection at least 6.3inch(160mm) and no more than 29.5inch(750mm). Within this range you will achieve the results as indicated by the example pictures

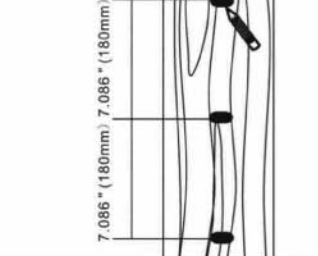
A-6



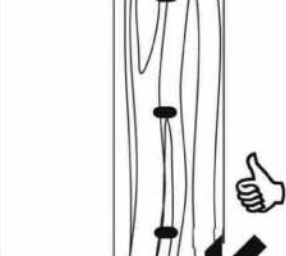
A-2



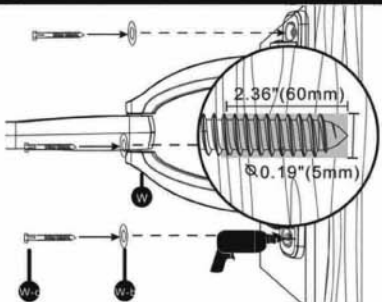
A-3



A-4



A-5

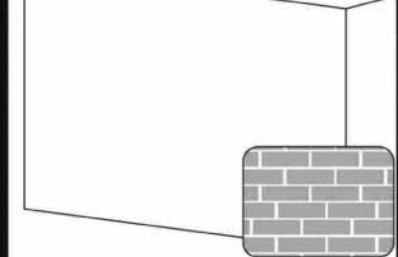


↓ Plasma mounting on non-stud wall

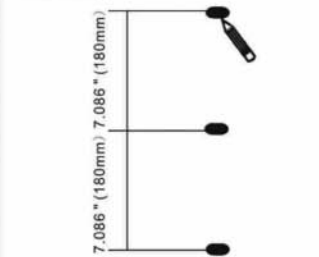
OR

↑ Plasma mounting on Stud Wall

B-1



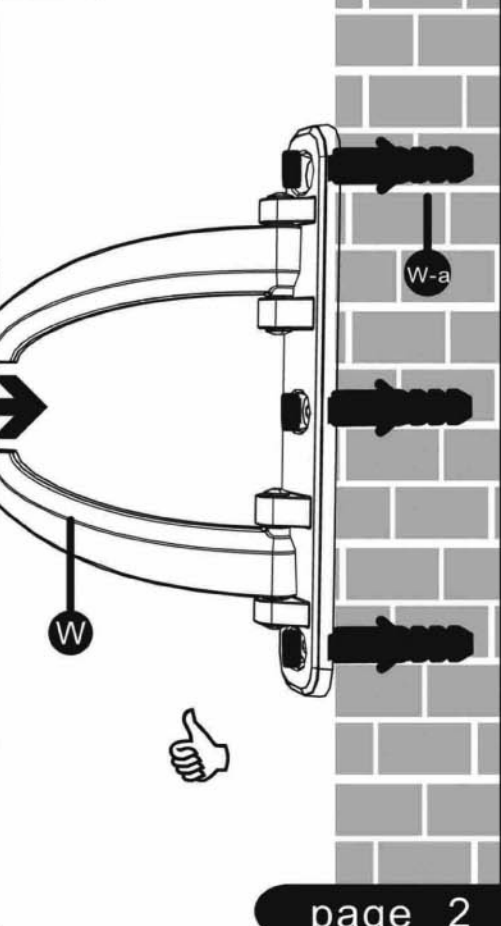
B-2



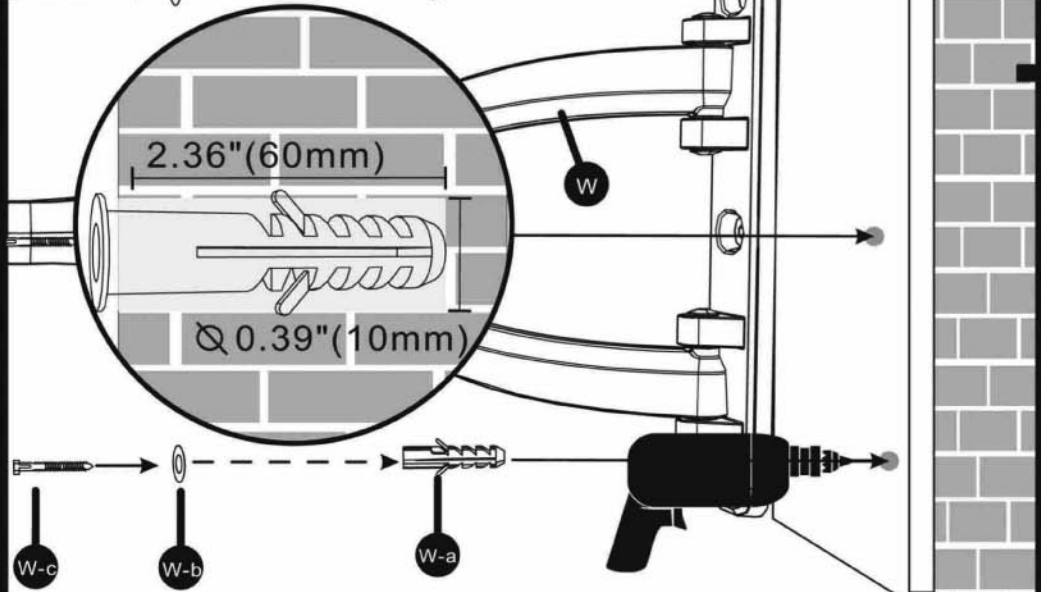
B-3



B-5



B-4

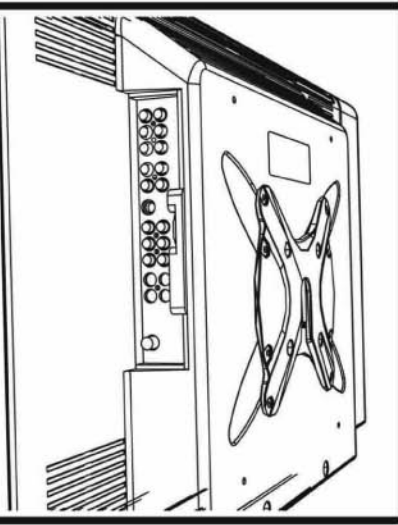
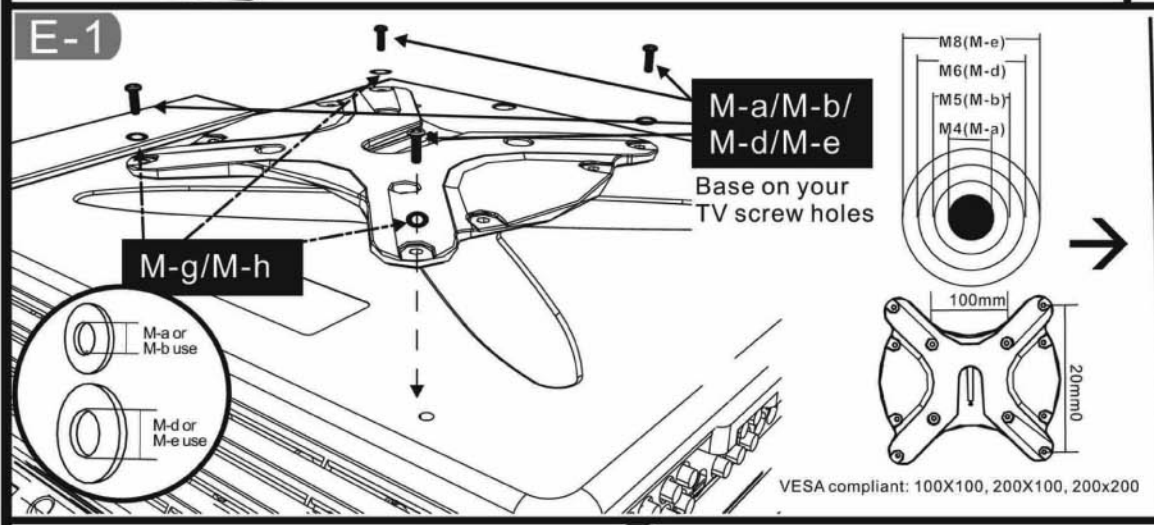
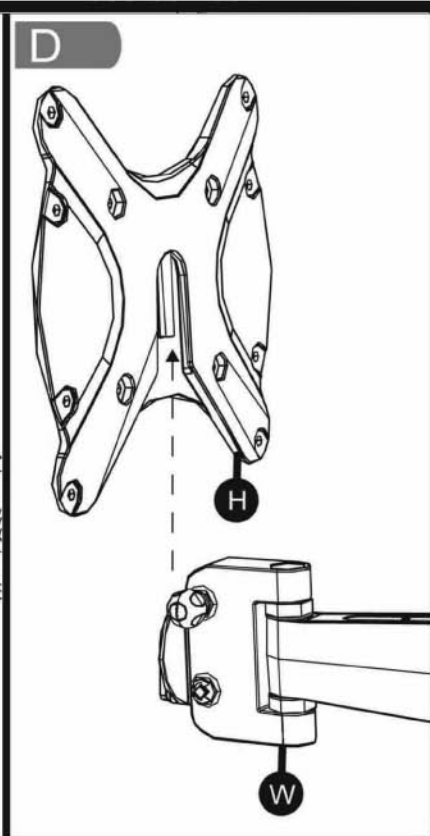
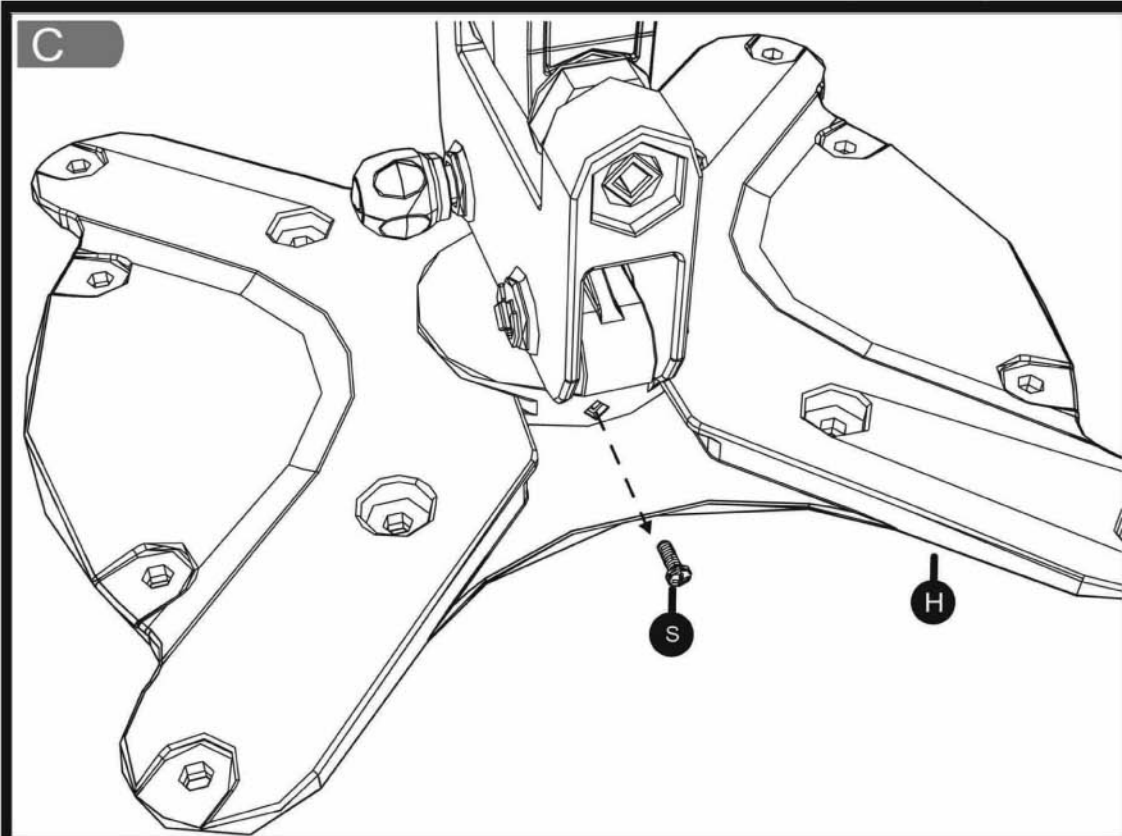


# MW-3A4

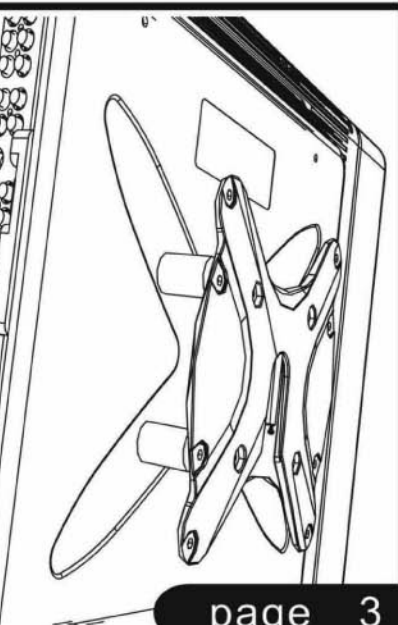
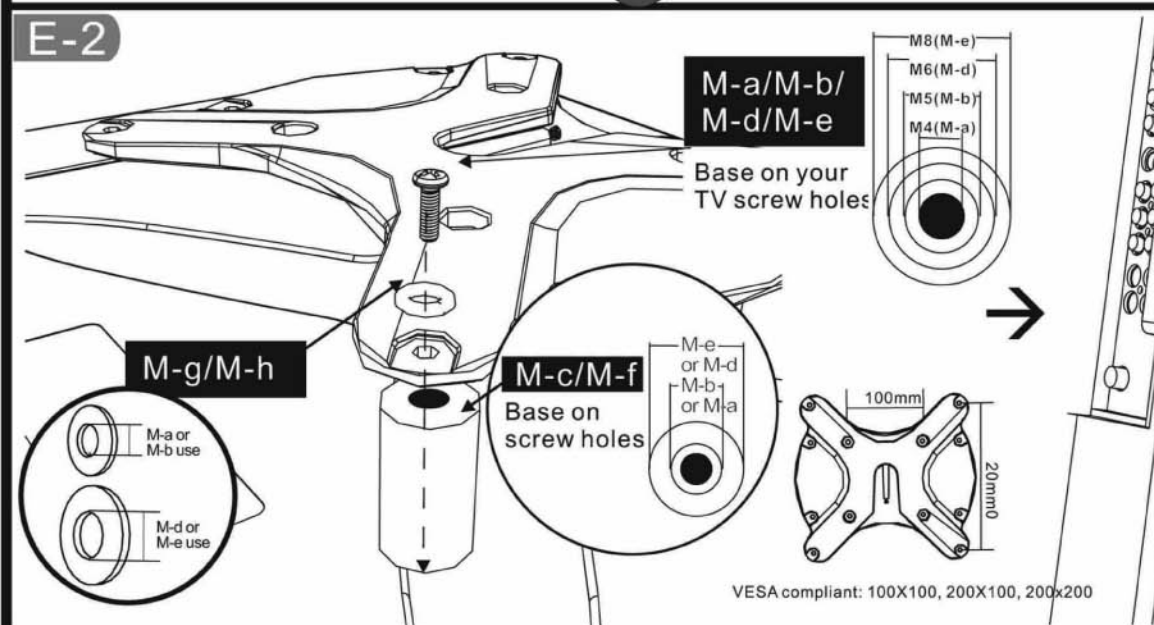
Full Swing Wall Mount

# User's Manual

If you want to learn more about Cotytech Mounts, you may visit <http://www.cotytech.com> or call 1-888-891-9321



**OR** (Base on your TV type)



# MW-3A4

Full Swing Wall Mount

# User's Manual

If you want to learn more about Cotytech Mounts, you may visit <http://www.cotytech.com> or call 1-888-891-9321

