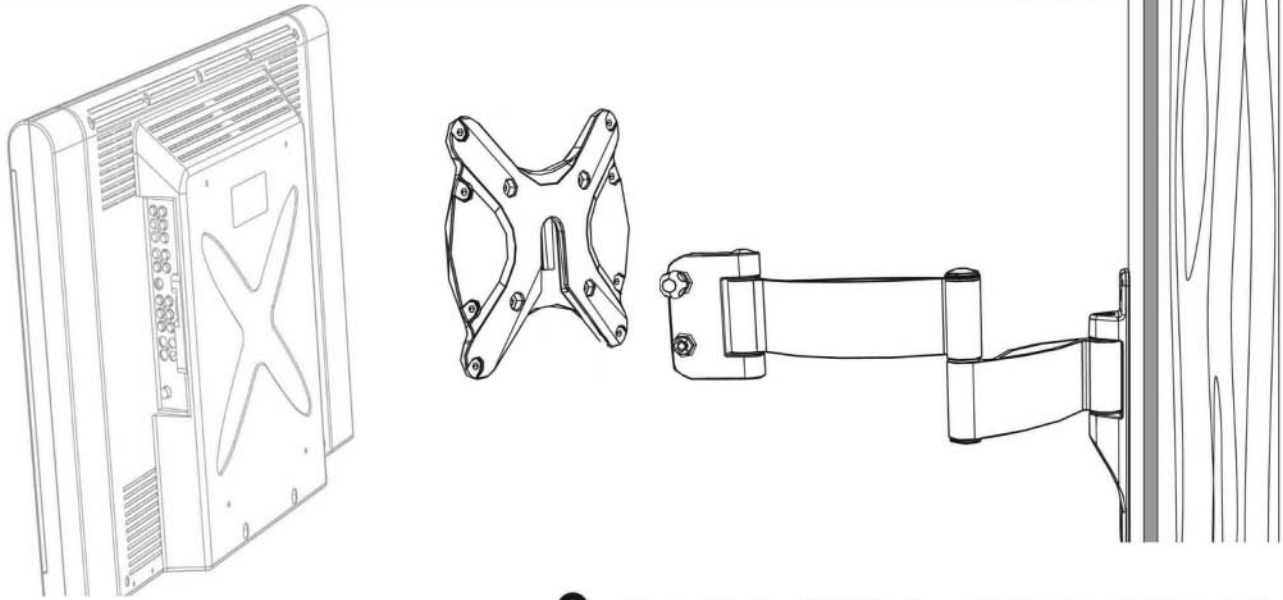


MW-3A3

Full Swing Wall Mount

User's Manual

If you want to learn more about Cotytech Mounts, you may visit <http://www.cotytech.com> or call 1-888-891-9321



Max. 60 lbs (27.3kg) Max 22" to 37"

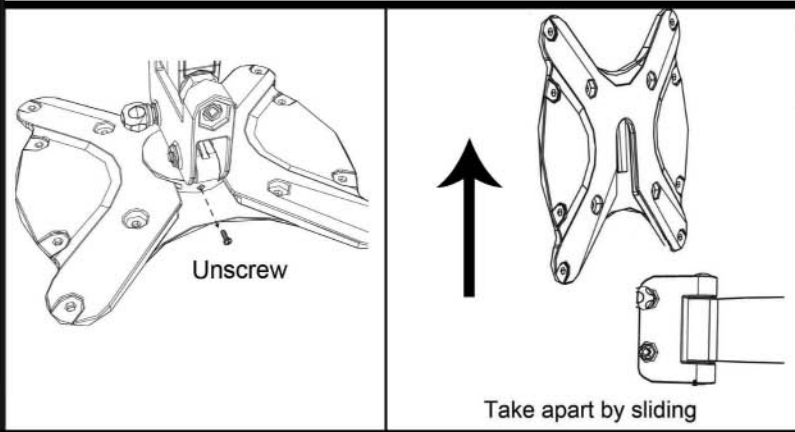
Wall Kit

Photo	Pouch#	Qty	Description
	W-a	2	Wall plug_NYLON-D6D10L50
	W-b	2	WASHER_STEEL_D8D17H16
	W-c	2	M8L64-COACH-SCREW
	W-d	1	LINE-LOCK
		1	CABLE LINE
		1	SCREW-M3XL8-PH
		1	Water-Level Gauge

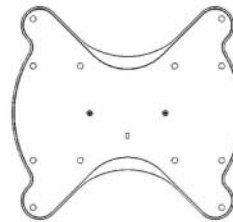
TV Kit

Photo	Pouch#	Qty	Description
	M-a	4	SCREW_M4XL20-PH
		4	SCREW_M4XL40-PH
	M-b	4	SCREW_M5XL20-PH
		4	SCREW_M5XL40-PH
	M-c	4	SPACER_NYLON-D5D10L8
		4	SPACER_NYLON-D5D10L25
	M-d	4	SCREW_M6XL20-PH
		4	SCREW_M6XL45-PH
	M-e	4	SPACER_NYLON-D8D13L8
		4	SPACER_NYLON-D8D13L25
	M-f	4	WASHER_STEEL_D5D10H1
	M-g	4	WASHER_STEEL_D8D17H16

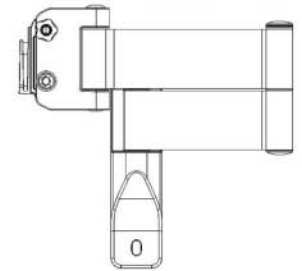
Step 1



VESA Plate



Wall Plate

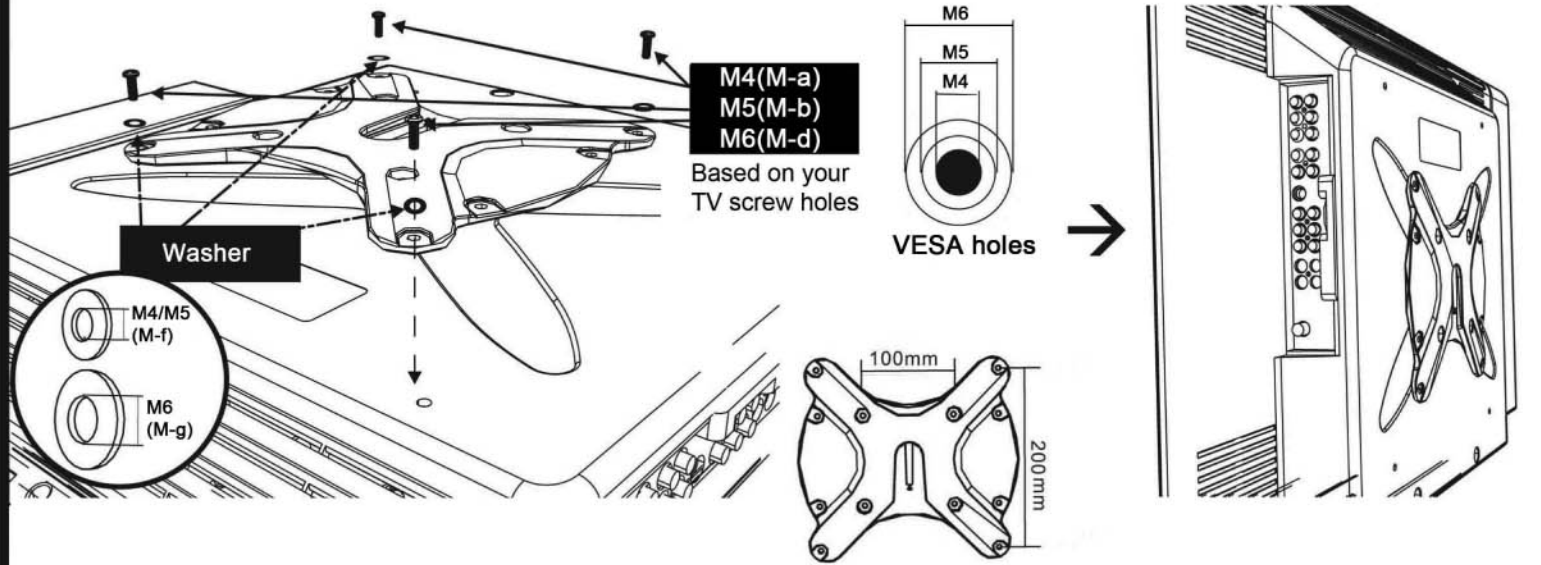


TOOLS NEEDED

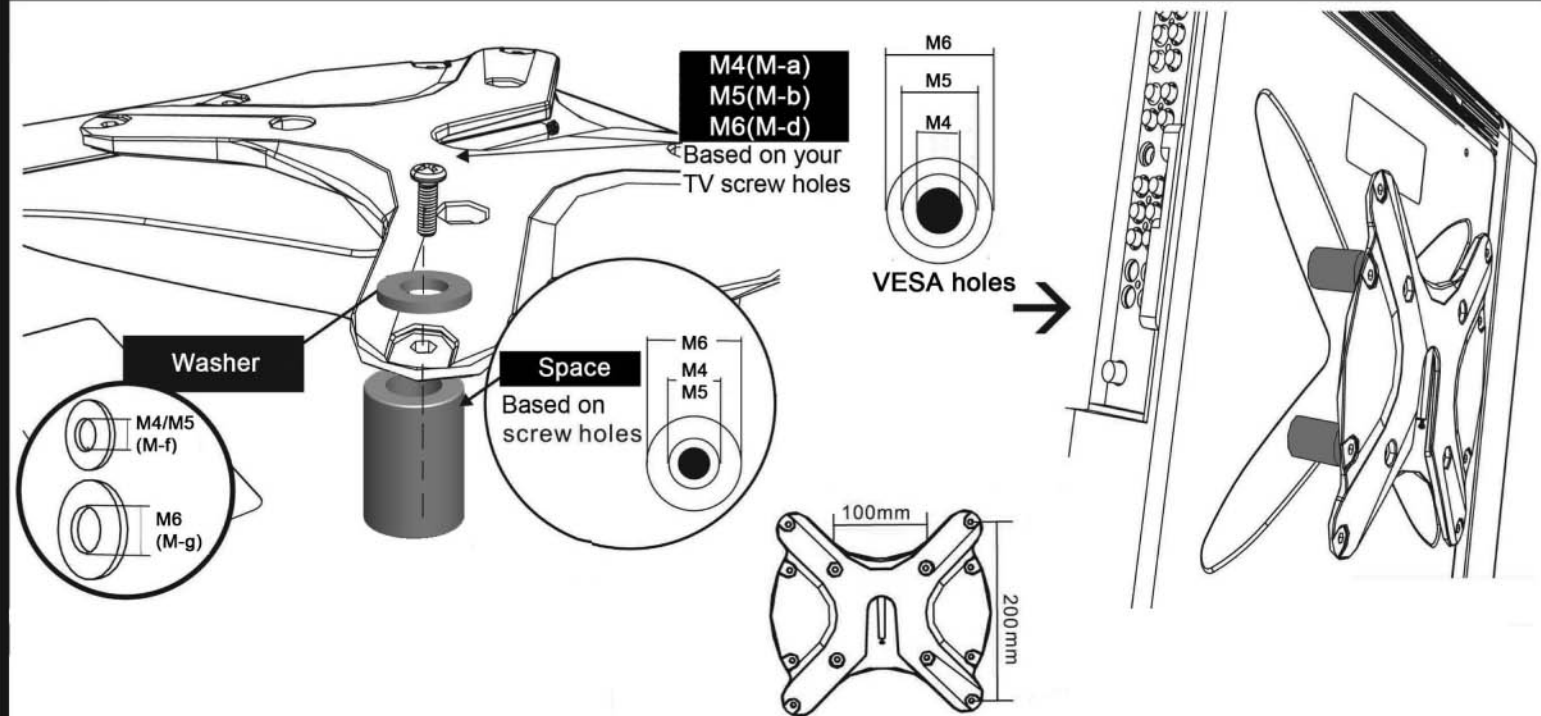


Step 2

For Flat Back Screen



For Bump-out or Recessed Back Screen



Do not over tighten screws.
Do not use screws longer than the TV back screw hole to cause TV damage.



Do not use electric screw driver.
Manual screw driver is recommended.

Step 3

Option 1

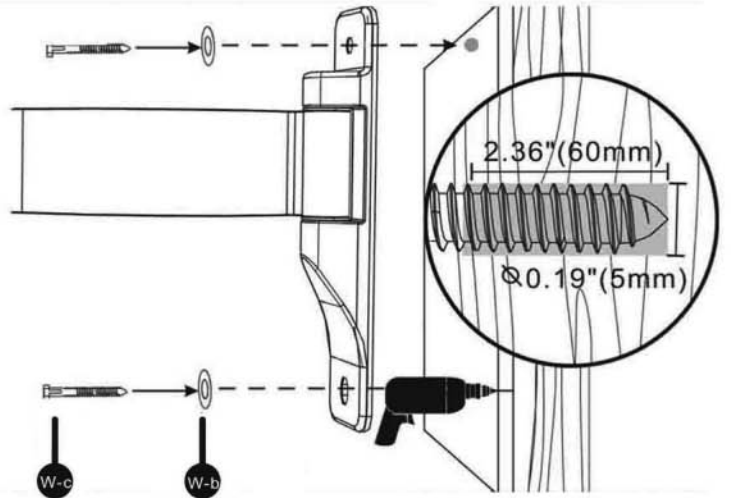
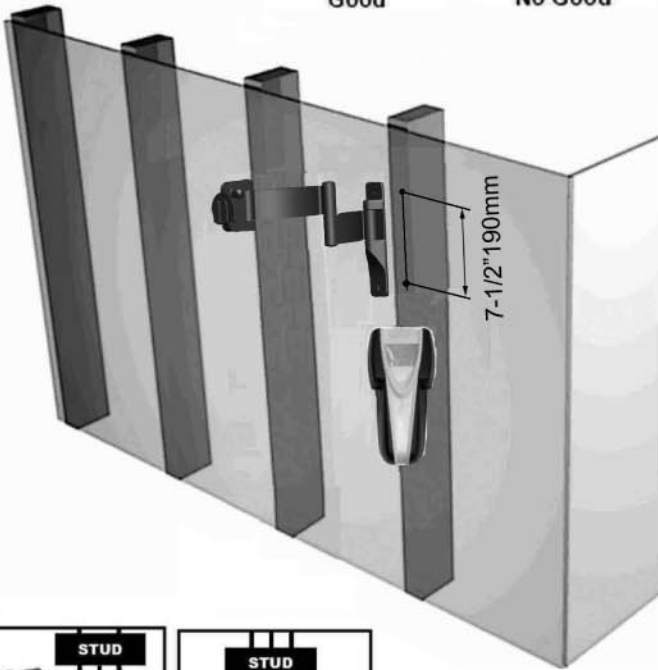
WOOD STUD INSTALLATION




Good



No Good



Wood Pilot	
Pilot Hole Size	Pilot Drill Depth
1/8" inch	2.5" inch
4 mm	65 mm



Option 2

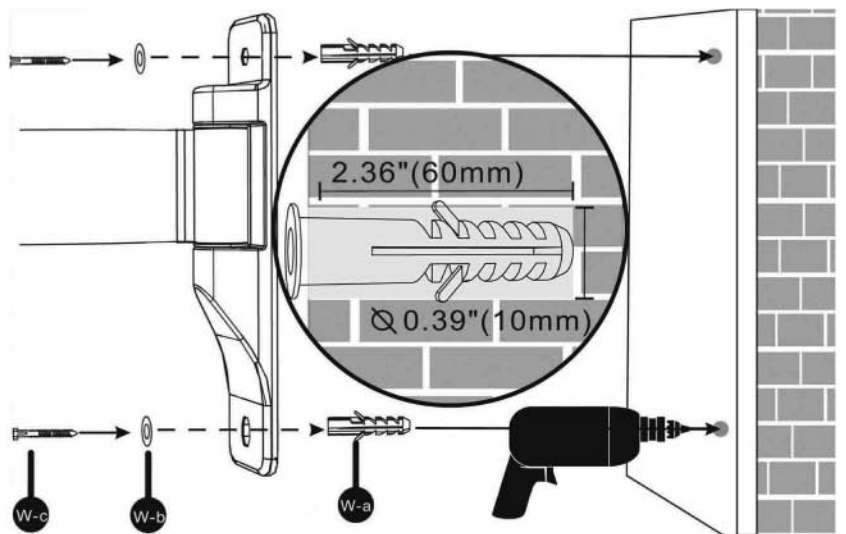
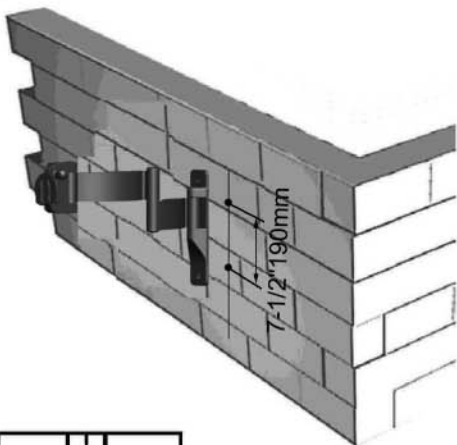
MASONRY INSTALLATION



Good


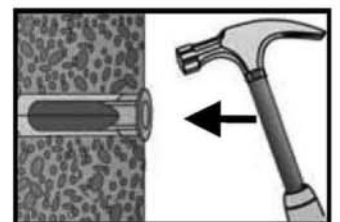
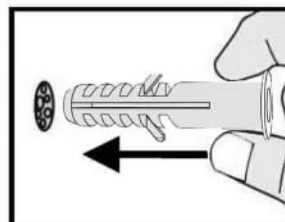


No Good

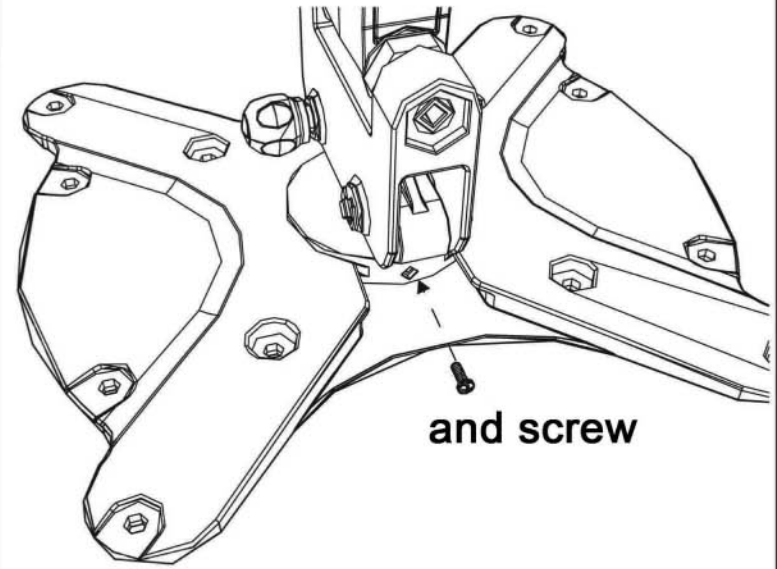
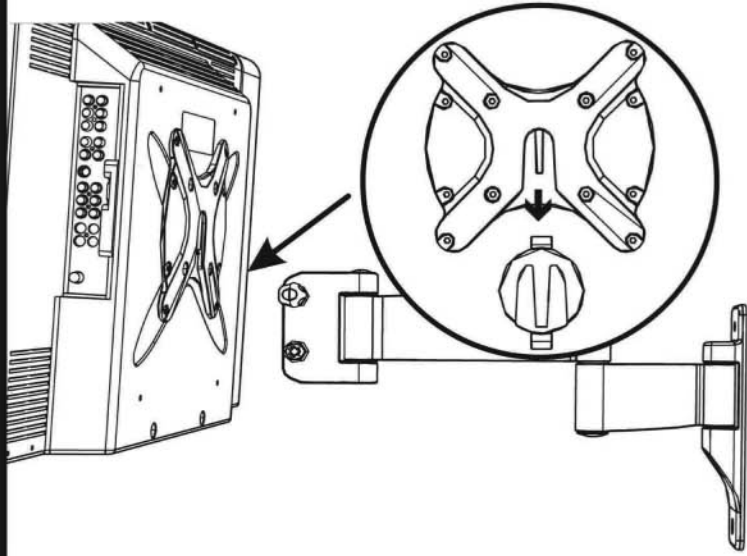



Solid Concrete Only
 Do Not Drill Into Mortar

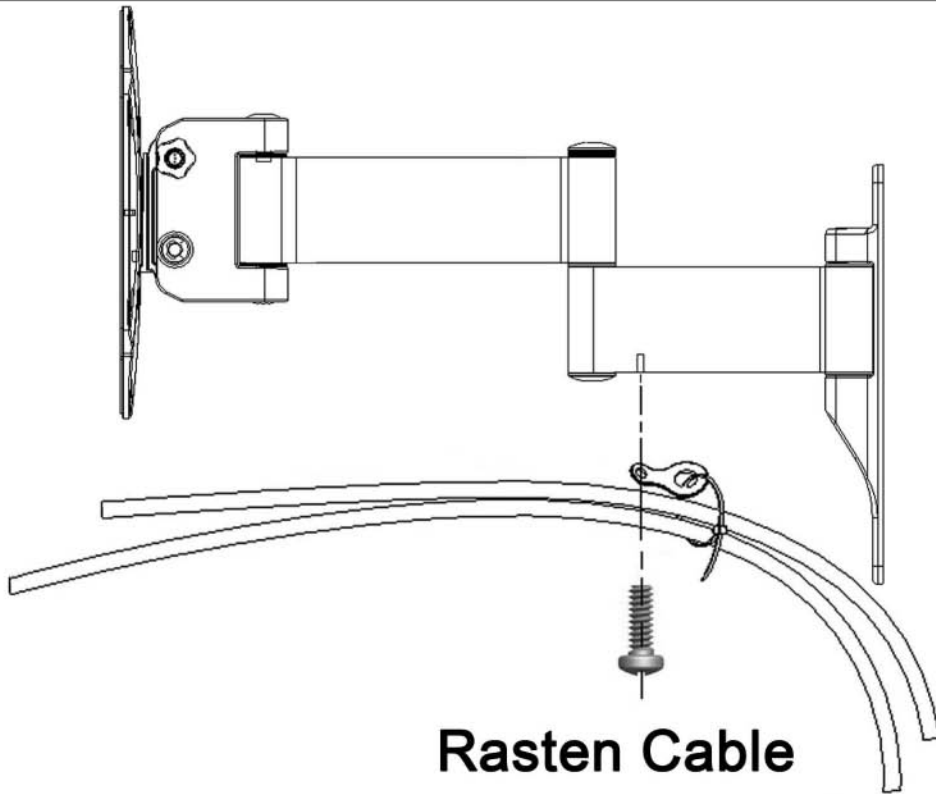
Masonry Pilot	
Pilot Hole Size	Pilot Drill Depth
3/8" inch	2.5" inch
9.5mm	65 mm

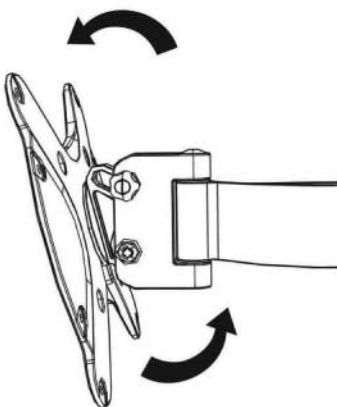
Step 4



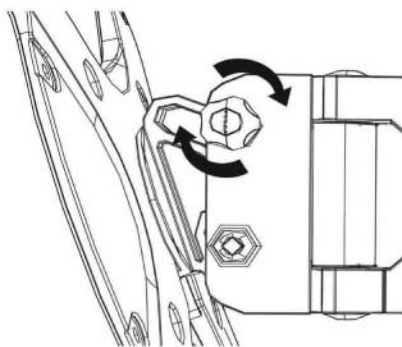
Step 5



Tilt



Fasten



Swivel

